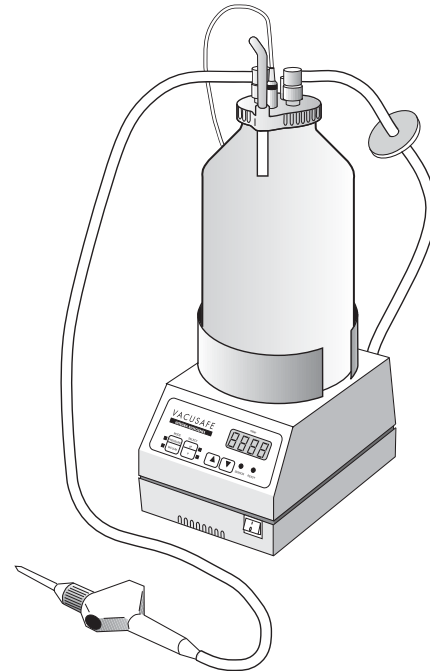


VacuSafe

Aspiration system
Absaug-System
Système d'aspiration



English
Deutsch
Français



Declaration of Conformity

INTEGRA Biosciences (Switzerland) hereby confirms that the product

VacuSafe

is in accordance with the following directives and standards:

73/23/EEC Low voltage equipment
89/336/EEC Electromagnetic compatibility
IEC/EN 61010-1:2001-02
IEC/EN 61326-1+A1:1998+A2:2000

Standards for Canada, USA and Australia:
CAN/CSA-C22.2 No. 1010.1-92
UL Std. No. 3101-1
FCC, Part 15, class A

February 21, 2003

Elmar Morscher
CEO

Thomas Neher
Quality Manager

This equipment has been tested and found to comply with the limits for a Class A digital device, pursuant to both Part 15 of the FCC Rules and the radio interference regulations of the Canadian Department of Communications. These limits are designed to provide reasonable protection against harmful interference when the equipment is operated in a commercial environment.

This equipment generates, uses and can radiate radio frequency energy and, if not installed and used in accordance with the instruction manual, may cause harmful interference to radio communications.

Operation of this equipment in a residential area is likely to cause harmful interference in which case the user will be required to correct the interface at his own expense.

Edition 8/2003

© Copyright
INTEGRA Biosciences AG - Switzerland

All rights reserved. This manual may not be copied or reproduced in whole or in part in any way without the prior express written permission of INTEGRA Biosciences.

The company reserves the right to make alterations without prior notice.

Notwithstanding the above statements, INTEGRA Biosciences accepts no liability for possible mistakes or their consequences arising from this manual.

Manual article number: 468126_V01
Manual is valid as of Software Version 150

Contents

1. Safety precautions	5
2. Abridged description	8
2.1 Overview – front panel	9
2.2 Display / keyboard	10
2.3 Overview – rear panel	11
3. Operating instructions	12
3.1 Equipment provided	12
3.2 Location	13
3.3 Connecting to power supply	13
3.4 Connecting the foot switch	13
4. Aspirating	14
5. Dispensing	16
6. Combined aspirating and dispensing	18
7. Setting pressure, vacuum and hysteresis	21
8. Level monitor	23
8.1 Operation and instructions on use	23
8.2 Activation and calibration of level monitor	24
8.3 Deactivation of level monitor	24
9. Maintenance and cleaning	25
9.1 Maintenance	25
9.2 Cleaning	25
9.3 Autoclaving	26
10. Trouble-shooting / technical instructions	27
10.1 Trouble-shooting	27
10.2 Changing fuses	29
10.3 Setting the power voltage	30
10.4 Calibrating the pump to a new sensor cable ...	31
10.5 Display of current software version number	31
11. Technical data	32
12. Accessories	33
13. Manufacturer and service addresses	33
14. VACUBOY hand operator accessories	34

1. Safety precautions

Conditions of use

VacuSafe is an instrument for the controlled, contamination-free aspiration and dispensing of liquids in a laboratory.

The instrument should not be used for any other purpose.

Dangers involved when safety precautions are not observed

VacuSafe is a state-of-the-art instrument with respect to current technology and is safe to use. Some danger may exist if the instrument is used by untrained personnel. Any person given the task of operating VacuSafe must first read the operating and safety instructions and understand them fully or be thoroughly trained by a superior in the use of the instruments before operating the instrument.

Other possible dangers

Throughout the manual, the following symbols will be used to indicate general precautionary measures:



NB: information on the correct use of VacuSafe.



Warning: Warning that, if safety precautions are not observed, damage may result to the instrument.



Danger: Warning that, if safety precautions are not observed, injury to personnel may result.

Independent of any precautionary information given above, potential dangers with respect to the aspiration and dispensing of liquids should be assessed prior to carrying out and appropriate safety precautions taken.

Safety at work

Independent of any safety precautions listed here, all other relevant safety aspects - e.g. GLP, GMP, and those issued by professional trade associations, the Department of Health and trade supervisory authorities must be observed.

Qualification of operating personnel

Normally, a technical qualification is required. Specialist knowledge is required when using VacuSafe for aspirating or dispensing liquids if all danger is to be avoided. This particularly applies to the selection of liquids to be aspirated or dispensed with respect to potential danger involved and the decision as to whether VacuSafe should be used for such procedures.

Personnel with no formal laboratory qualification do not, as a rule, possess the degree of specialist knowledge required and must hence be trained by qualified personnel and subsequently supervised.

Safety aspects for the user company

The supervisors of operating personnel must have read and understood all the safety precautions involved and must ensure that these are adhered to. They must also ensure that operating personnel also understand and observe all safety rules.

Prior to operating VacuSafe, the supervisor must ensure that no other dangers exist, especially if other instruments and systems are also being used and if the liquids to be aspirated or dispensed represent additional potential danger.

If necessary, additional safety instructions must be compiled by the supervisor. The user company must, if necessary, in order to exclude all possible danger, compile explicit safety instructions and have these signed by the staff responsible. In addition, clear competences must be established as to who is responsible for the operation of VacuSafe so that clear responsibilities exist for questions of safety.

Changes in configuration / design by user

No changes may be made to VacuSafe. Any parts that become defective must be replaced by original INTEGRA Biosciences parts. Repairs must be carried out by INTEGRA Biosciences service personnel.

VacuSafe may not be altered in design or in any of their safety aspects without the express written permission of INTEGRA Biosciences. In particular, no alterations may be made to any of the protective functions. Any alteration made releases INTEGRA Biosciences from any liability for damage caused.

2. Abridged description

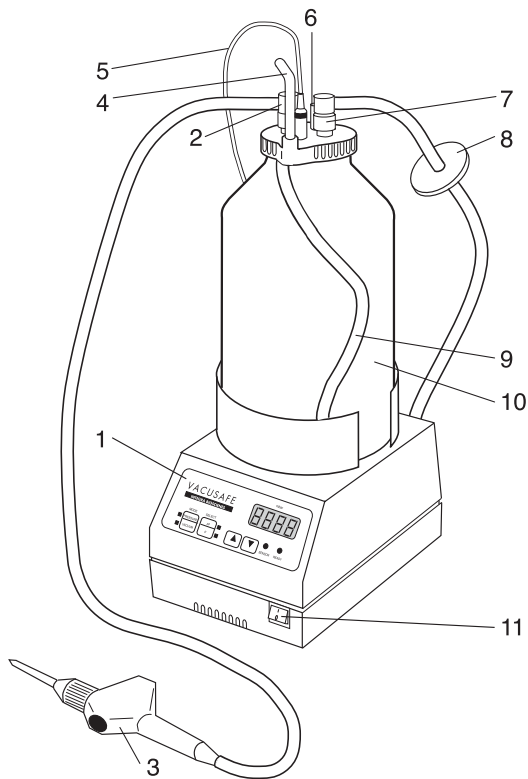
VacuSafe is a controllable aspiration device with integrated pump and controller and a vacuum/pressure bottle. It is designed for laboratory use, for aspirating and dispensing liquids with presettable vacuum and pressure. In combination with the VACUBOY handoperator or tubing fitted with a pipette tip, liquids can be aspirated or dispensed completely contamination-free.

The operating modes "aspirate" and "dispense" can be selected either individually or in combination.

In the combination mode, a second bottle must be connected to the pump so that both a vacuum and a pressure source can be used simultaneously. The MODE key or foot switch (optional) can be used to switch between the aspirating and dispensing modes.

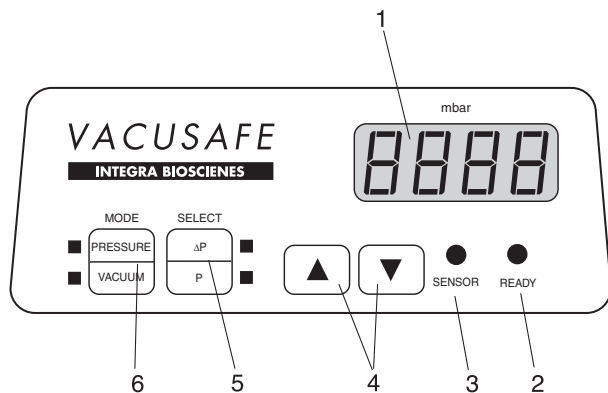
Tubing connectors are self-closing. The bottles can thus be separated, contamination-free, from tubing and pump for autoclaving or disposal.

2.1 Overview – front panel



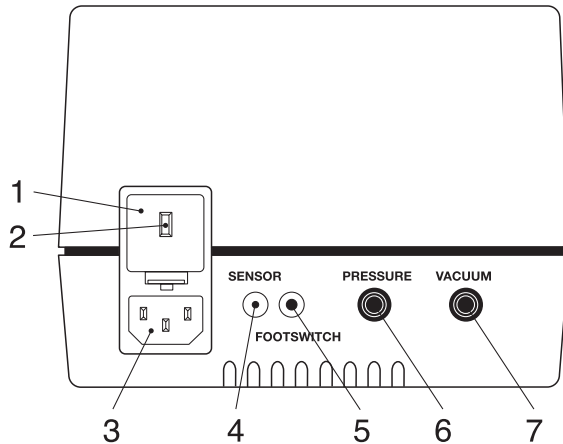
- 1 Keyboard/display, on/off
- 2 Tube connector, media side (red)
- 3 VACUBOY handoperator
(not delivered with system)
- 4 Grip
- 5 Sensor cable
- 6 Venting screw
- 7 Tube connector, pump side (blue)
- 8 Pump tubing with filter
- 9 Siphon tubing
- 10 Pressure/vacuum bottle
- 11 Power switch

2.2 Display / keyboard



- 1 Display pressure/vacuum in mbar (minus sign in the case of vacuum)
- 2 LED READY: lights when set pressure/vacuum in the bottle is within set range
- 3 LED SENSOR: active only (blinks) in aspiration mode (VACUUM):
 - when medium reaches maximum level in the bottle and the bottle has to be emptied
 - when the sensor cable is not properly connected
- 4 Keys UP and DOWN for setting hysteresis and pressure/vacuum and switching off level monitor
- 5 SELECT key: for setting hysteresis (ΔP) or pressure/vacuum (P) and calibration level monitor
- 6 MODE key: for switching between the modes "aspirate" (VACUUM) and "dispense" (PRESSURE).

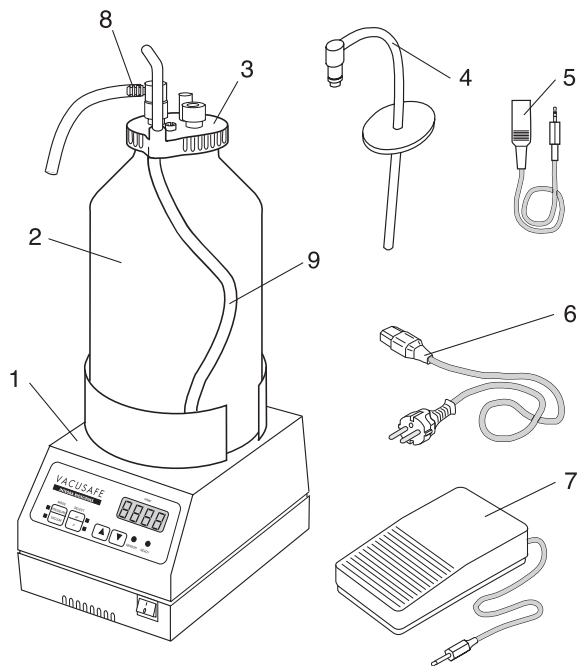
2.3 Overview – rear panel



1. Fuse housing containing 2 fuses
2. Power voltage display
3. Socket for power cable
4. Socket for sensor cable
5. Socket for foot switch
6. Tubing nipple for "dispense" mode (PRESSURE)
7. Tubing nipple for "aspirate" mode (VACUUM)

3. Operating instructions

3.1 Equipment provided



The equipment provided comprises:

- 1 VacuSafe pump
- 2 Pressure/vacuum bottle
- 3 Lid, complete
- 4 Tube, pump side, complete with filter and tube connector
- 5 Sensor cable
- 6 Power cable
- 7 Foot switch (option)
- 8 Tube media side with connector
- 9 Siphon tubing

Operator's Manual

Please check the items delivered for completeness. Should any of the items be missing, contact INTEGRA Biosciences.

3.2 Location

VacuSafe is intended for use in a laboratory environment.

The instruments may not be located:

- Near a source of UV-radiation
- In a place susceptible to water spray or where contact with chemicals is possible.
- In a place where explosion potential is present.

The proper location:

- Has a stable, flat base
- Has adequate space for fitting a second bottle for combined mode aspirate/dispense and for a foot switch.
- is ventilated sufficiently

3.3 Connecting to power supply

Checking the voltage

Check the local voltage; it must be compatible with the voltage indicated on VacuSafe.

The instrument voltage is indicated on the rear panel of VacuSafe.



Warning: Connecting to the wrong voltage may damage electrical components of VacuSafe.

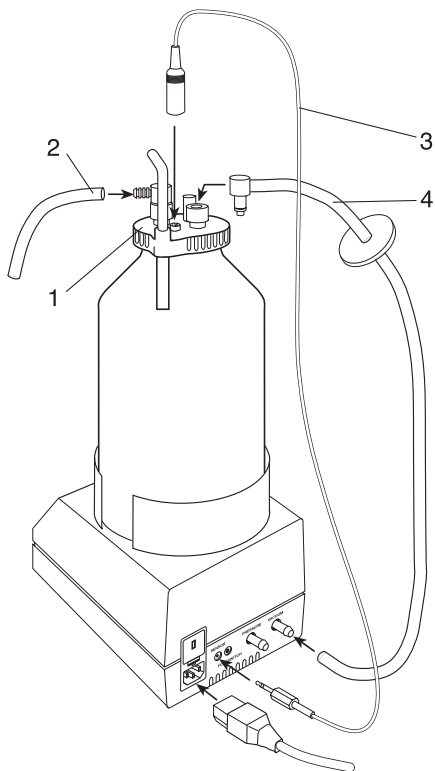
Connection to power supply

Connect VacuSafe to the power supply using the power cable provided.

3.4 Connecting the foot switch

Using the foot switch, one can switch between the "aspirate" and "dispense" modes. It is available as an optional accessory. The foot switch cable should be connected to the socket labelled FOOT SWITCH at the rear of VacuSafe.

4. Aspirating



Danger: Aspiration may not be carried out:

- With substances that are potentially explosive
- Aggressive liquids which can attack silicone tubing
- With substances with a temperature in excess of 80°C.

1. Prepare the vacuum bottle

Procedure:

- Switch off the pump with the power switch
- Ensure that no siphon tubing is connected to the lid.

2. Set "aspirate" mode (VACUUM)

Procedure:

- Switch on the pump with the power switch
- Press the MODE key until the LED for VACUUM lights.



NB: When aspiration is carried out using a siphon tube, air bubbles will rise through the medium during the aspiration process.

- Place lid (1) on the vacuum bottle and ensure that it fits tightly.



NB: Always keep the lid tight – otherwise a vacuum cannot be generated in the bottle!

- Connect lid (1) and pump (VACUUM connection) with tube (4) on the pump side (blue, with filter).
- Ensure that:
 - The blue tube connector is fitted to the blue socket
 - The rapid-action connector is properly fitted (it must click).



NB: Always use the integrated sterile filter on the pump side (blue). This prevents medium from entering the pump and causing damage.

- Connect the VACUBOY hand operator tube or other tube (2) to the tube connector on the red rapid-action connector

- Connect sensor cable (3) between lid (1) and pump (SENSOR).

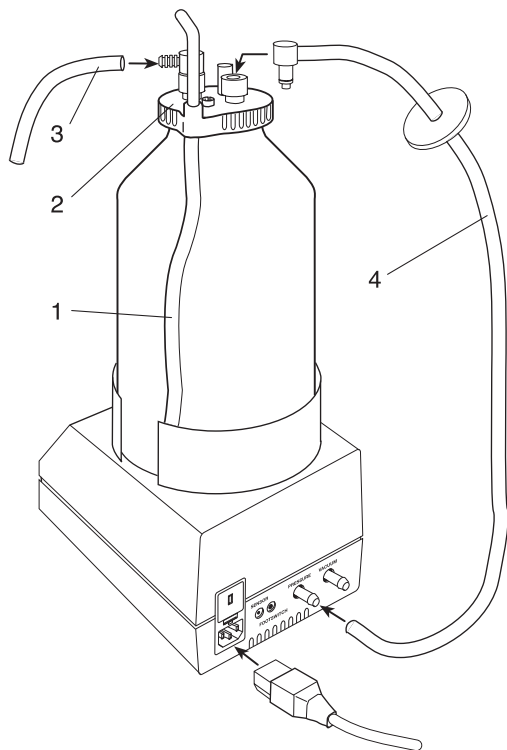
3. Aspiration

- Check that the venting screw is closed
- Switch on the pump with the power switch
- Set values for vacuum and hysteresis if necessary
- The pump will begin to function
- Once the bottle is full, the level indicator will be activated – the LED SENSOR will blink and an acoustic alarm starts. The pump stops. The bottle must be emptied before proceeding further.



NB: For proper operation of the level indicator, and to prevent the build-up of foam, we recommend the use of normal commercial anti-foaming agents (for example Antifoam A from Fluka or Sigma)

5. Dispensing



Danger: Dispensing may not be carried out:

- With substances that are potentially explosive
- Aggressive liquids that can attack silicone tubing
- With substances with a temperature in excess of 80°C.

1. Prepare the pressure bottle

Procedure:

- Switch off the pump with the power switch
- Ensure that the siphon tubing (1) is connected
- Place lid (2) on the pressure bottle.

2. Set "dispense" mode (PRESSURE)

Procedure:

- Switch on the pump with the power switch
- Press the MODE key until the LED for PRESSURE lights.

Ensure that the lid is tightly fastened.



NB: Always keep the lid tight – otherwise a pressure cannot be generated in the bottle!

- Connect lid (2) and pump (PRESSURE connection) with tube (4) on the pump side (blue, with filter)
- Ensure that:
 - The blue tube connector is fitted to the blue socket
 - The rapid-action connector is properly fitted (it must click).



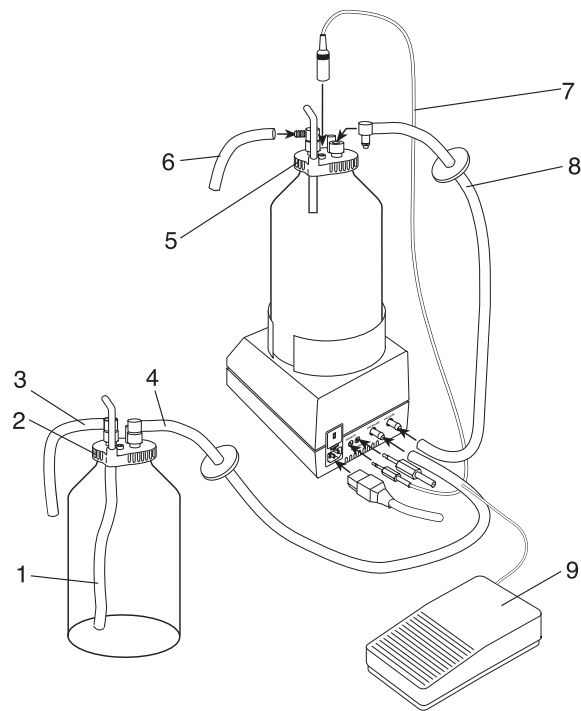
NB: Always use the integrated sterile filter on the pump side (blue). This prevents medium from entering the pump and causing damage.

- Connect the VACUBOY hand operator tube or other tube (3) to the tube connector on the red rapid-action connector.

3. Dispensing

- Check that the venting screw is closed.
- Switch on the pump with the power switch
- Set values for pressure and hysteresis if necessary
- The pump will begin to function.

6. Combined aspirating and dispensing



In this combined mode, a vacuum and a pressure bottle are required.



Danger: Aspiration or dispensing may not be carried out:

- With substances that are potentially explosive
- Aggressive liquids which that can attack silicone tubing
- With substances with a temperature in excess of 80°C.

1. Prepare the pressure bottle

Procedure:

- Switch off the pump with the power switch
- Ensure that the siphon tubing (1) is connected
- Place lid (2) on the pressure bottle and ensure that it fits tightly.



NB: Always keep the lid tight – otherwise pressure cannot be generated in the bottle!

- Connect lid (2) and pump (PRESSURE connection) with tube (4) on the pump side (blue, with filter)
- Ensure that:
 - The blue tube connector is fitted to the blue socket
 - The rapid-action connector is properly fitted (it must click).



NB: Always use the integrated sterile filter on the pump side (blue). This prevents medium from entering the pump and causing damage.

- Connect the VACUBOY hand operator tube or other tube (3) to the tube connector on the red rapid-action connector.

2. Prepare the vacuum bottle

- Ensure that no siphon tubing is connected to the lid.



NB: When aspiration is carried out using a siphon tube, air bubbles will rise through the medium during the aspiration process.

- Place lid (5) on the vacuum bottle and ensure that it fits tightly.



NB: Always keep the lid tight – otherwise a vacuum cannot be generated in the bottle!

- Connect lid (5) and pump (VACUUM connection) with tube (8) on the pump side (blue, with filter)
- Ensure that:
 - The blue tube connector is fitted to the blue socket
 - The rapid-action connector is properly fitted (it must click)



NB: Always use the integrated sterile filter on the pump side (blue). This prevents medium from entering the pump and causing damage.

- Connect the VACUBOY hand operator tube or other tube (6) to the tube connector on the red rapid-action connector.
- Connect sensor cable (7) between lid (5) and pump (connection SENSOR).

3. Aspirating and dispensing

Procedure:

- Connect foot switch (9) to the FOOTSWITCH socket of the pump
- Ensure that the venting screw on both bottles are closed
- Switch on the pump with the power switch
- If necessary, set values for pressure and vacuum
- The pump will begin to function

- Either the foot switch or the MODE key can be used to switch between "aspirate" and "dispense"
- Once the bottle is full, the level indicator will be activated – the red LED SENSOR will blink. The bottle must be emptied before proceeding further.



NB: For proper operation of the level indicator, and to prevent the build-up of foam, we recommend the use of normal commercial anti-foaming agents (for example Antifoam A from Fluka or Sigma)

7. Setting pressure, vacuum and hysteresis



NB: The values set on VacuSafe are relative to ambient air pressure. Minus values (accompanied by a minus sign) indicate vacuum.

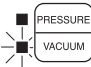
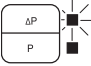
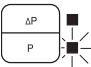
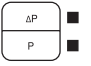
Hysteresis is the differential pressure between the switch on and switch off points of the pump when pressure or vacuum is being generated in the bottle.

Example: A pressure of 200 mbar and a hysteresis of 80 mbar has been set.

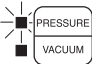
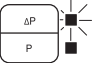
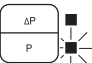
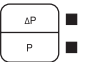
The pump functions until a pressure of 200 mbar has been achieved and then switches off. During the dispensing process the pressure in the bottle gradually falls. The pump then switches on again when the pressure in the bottle is 120 mbar and increases it again to 200 mbar.

Values for pressure, vacuum and hysteresis can be set at any time.

Setting vacuum and hysteresis

- Switch on the pump with the power switch. The actual vacuum in the bottle will be displayed.
-  Press the MODE key until the LED VACUUM lights.
-  Press the SELECT key. The LED "ΔP" will light and the actual hysteresis value will be displayed.
- Set the required hysteresis value using the ▲ and ▼ keys.
-  Press the SELECT key. The LED "P" will light and the actual value of the vacuum will be displayed.
- Set the required vacuum value using the ▲ and ▼ keys.
- Example: P= -600 ΔP = -200
-  Press the SELECT key. The LEDs will extinguish indicating that VacuSafe is ready for operation. The actual vacuum in the bottle will be displayed.

Setting pressure and hysteresis

- Switch on the pump with the power switch. The actual pressure in the bottle will be displayed.
-  Press the MODE key until the LED PRESSURE lights.
-  Press the SELECT key. The LED "ΔP" will light and the actual hysteresis value will be displayed.
- Set the required hysteresis value using the ▲ and ▼ keys.
-  Press the SELECT key. The LED "P" will light and the actual value of the pressure will be displayed.
- Set the required pressure value using the ▲ and ▼ keys.
- Example: $P = 200$ $\Delta P = 50$
-  Press the SELECT key. The LEDs will extinguish indicating that VacuSafe is ready for operation. The actual pressure in the bottle will be displayed.

8. Level monitor

8.1 Operation and instructions on use

The bottle is provided with a level monitor which prevents foam or liquid from entering the filter or the instrument during aspiration. As soon as foam or liquid is detected, the pump switches off and a visual and audible alarm is triggered.

VacuSafe, sensor cable and bottle lid constitute an assembly and they must be calibrated to match one another.



Instructions on use:

- Depending on the degree of soiling on the lid of the bottle it may be necessary to calibrate the level sensor periodically.
- If you have more than one lid / VacuSafe and accidentally swap the lids, it may be necessary to recalibrate the systems. It is absolutely essential that you prevent VacuSafe and sensor cables from being swapped over accidentally. Otherwise you will have to recalibrate.
- To ensure that the level monitor operates properly and avoid the formation of foam we recommend using standard anti-foaming agents (Antifoam A from Fluka or Sigma).

8.2 Activation and calibration of level monitor

To activate and simultaneously calibrate the level monitor proceed as follows:

- Connect the sensor cable to the main unit and the vacuum bottle.
- Make sure the vacuum bottle is empty and the sensor pins in the lid are dry.
- Turn off VacuSafe at the power switch.
- Press the SELECT button and simultaneously turn VacuSafe back on again at the power switch.
- Keep the SELECT button pressed until the number 100 or above (software version number) appears on the display.
- Let go of the SELECT button and wait 5 seconds. VacuSafe is now calibrated for the new cable.
- If calibration has failed, you will hear a periodic double tone and the sensor display will light up. Check the cable connection, clean and dry the lid, and repeat the calibration procedure.

The level monitor now remains switched on until deactivation (see section 8.3).

8.3 Deactivation of level monitor

In order to deactivate the level monitor proceed as follows:

- Turn off VacuSafe at the power switch.
- Press the two buttons UP and DOWN and simultaneously turn VacuSafe back on again at the power switch.
- Keep the two UP and DOWN buttons pressed until the number 100 or above (software version number) appears on the display and disappears again.
- Let go of the UP and DOWN buttons and wait 5 seconds. The level monitor is now deactivated.

When the level monitor is deactivated, every time VacuSafe is turned on the sensor display and audible signal will be switched on three times in order to inform you. If you wish to reactivate the level monitor, proceed as described in section 8.2.

9. Maintenance and cleaning

9.1 Maintenance

Special maintenance and care is not necessary.

If the aspiration or dispensing power falls off, filter and tubing on the pump side should be replaced.

9.2 Cleaning



Danger: Disconnect VacuSafe from the power supply before cleaning.



Warning: When reassembling subsequent to cleaning, ensure that the tubes are properly connected. If connected wrongly, VacuSafe will aspirate when in the dispense mode and possibly damage the instrument.



Warning: Chlorine solutions and other aggressive chemicals may affect operation of the equipment. In order to avoid damage in the long term such chemicals should not be left inside the system for any lengthy period.

Pump / sensor cable:

- Dirt and contamination can be removed using a moist cloth and either warm or warm soapy water or with 70% alcohol. Use a lint-free cloth or a brush.
- Never use caustic solutions such as nitro diluent or similar.
- Never attempt to scrape off residues
- Never attempt to flame off residues.

Bottle and lid

The bottle and complete lid, without sensor cable, can be cleaned as glassware. bottle and lid may also be cleaned in dishwasher.



Warning: Remove the sensor cable before placing in the dishwasher; it may otherwise be damaged beyond repair.

9.3 Autoclaving

The bottle and lid, with tubing connectors and tubes, can be autoclaved to **max. 121°C. The sensor cable must first be removed and the tube couplings disconnected.**



Warning: Ensure that the sensor cable is removed before autoclaving otherwise it may be damaged beyond repair.



NB:

- Prior to autoclaving, open the venting screw; this prevents build-up of excess pressure.
- For autoclaving, screw the lid loosely onto the bottle.

Please refer to autoclave manufacturers guide for correct sterilization of liquids and volumes.



Warning: When autoclaving the bottle, always keep the lid on otherwise it may become deformed.



Warning: Always disconnect tube couplings before autoclaving. Otherwise they will be damaged beyond repair.



Warning: The filter may be autoclaved for sterilisation but it must not be reused.

10. Trouble-shooting / technical instructions

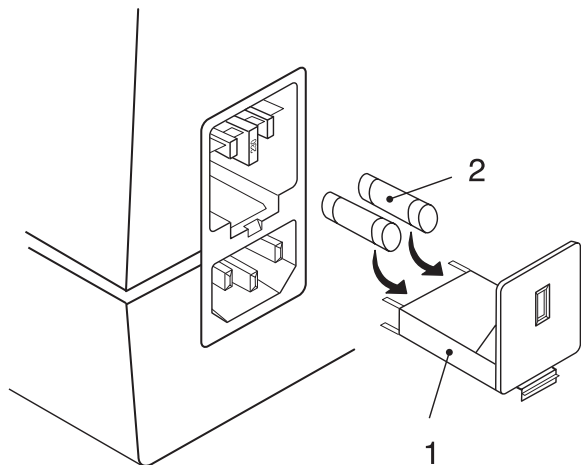
10.1 Trouble-shooting

Problem	Cause	Remedy
<p>Pump cannot be started in "aspirate" mode; the red LED SENSOR blinks.</p>	<ul style="list-style-type: none"> • The sensor cable is not properly connected. • The electrodes inside the bottle are bent and in contact. • The medium or foam in the bottle has reached maximum level. • Level monitor is not calibrated. 	<ul style="list-style-type: none"> • Connect the sensor cable properly. • Carefully separate the electrodes. • Clean lid and electrodes. • Empty the bottle. • Calibrate level monitor.
<p>VacuSafe delivers no medium in the "dispense" mode.</p>	<ul style="list-style-type: none"> • The siphon tube is not or not properly connected. 	<ul style="list-style-type: none"> • Connect the siphon tube correctly.
<p>The pump does not stop functioning but no vacuum/pressure is generated.</p>	<ul style="list-style-type: none"> • The venting screw is open. • The rapid-action connector of one of the tubes is not connected properly. • The tube is connected to the wrong connection on the pump. 	<ul style="list-style-type: none"> • Close off the venting screw. • Connect the connector properly – it must click in position. • Connect the tube to the correct connection.

10.1 Trouble-shooting (Continuation)

Problem	Cause	Remedy
Insufficient aspiration power.	<ul style="list-style-type: none">• The filter is clogged.	<ul style="list-style-type: none">• Replace the filter.
VacuSafe doesn't function.	<ul style="list-style-type: none">• Blown fuse or wrong voltage set.	<ul style="list-style-type: none">• Change the fuse, check the voltage selection switch.
Level monitor doesn't function.	<ul style="list-style-type: none">• Level monitor is deactivated.	<ul style="list-style-type: none">• Activate level monitor.
Pump doesn't start. No vacuum. Display runs normal.	<ul style="list-style-type: none">• Pump motor overheated because of continuous running and high ambient temperature.	<ul style="list-style-type: none">• Avoid unnecessary loss of vacuum and continuous running of the pump by using the hand operator VACUBOY or use a tube clamp.

10.2 Changing the fuses



The fuse chamber is located at the rear of VacuSafe.



Danger: Disconnect the power cable before carrying out this operation.

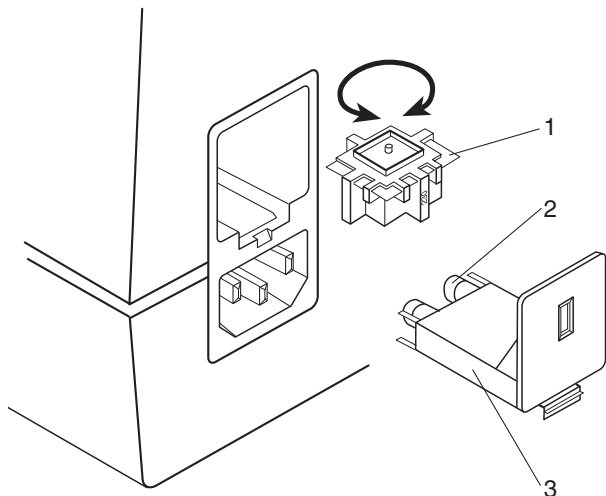


NB:
Fuse type see technical data.

Procedure:

- Disconnect the power cable
- Remove the fuse chamber (1) with a suitable tool, e.g. screwdriver
- Replace the blown fuses (2) with new ones. Use only fuses with the given values.
- Push the fuse chamber back into its housing.

10.3 Setting the voltage



VacuSafe has been set, ex-factory to the voltage for the country of sale.

If necessary, the voltage may be reset.

The voltage switch can be accessed when the fuse chamber at the rear of the instrument is open.



Danger: Disconnect VacuSafe from the power supply before carrying out this operation!



Danger: Use correctly labelled fuses for the voltage in question.



NB:
Fuse type see technical data.

Procedure:

- Disconnect the power cable
- Remove the fuse chamber (3) with a suitable tool, e.g. screwdriver
- Withdraw the voltage selector housing (1)

-
- Rotate the voltage selector until the required voltage is facing forward (115 or 230 V)
 - Replace the voltage selector
 - Replace both fuses with correctly designated ones for the voltage in question
 - Replace the fuse chamber
 - Check that the correct voltage is visible in the window of the fuse chamber.

10.4 Calibrating the pump to a new sensor cable

VacuSafe has been calibrated to the sensor cable provided. If a new cable has to be used, the VacuSafe will have to be recalibrated (see chapter 8) .

10.5 Display of current software version number

The current software version number is indicated during activation and calibration of the level monitor. See section 8.2.

11. Technical data

Type of instrument:	Microprocessor-controlled vacuum/pressure unit for controlled, contamination-free aspiration and dispensing of liquids with presettable vacuum/pressure and hysteresis
Vacuum:	Digital settings -200... -700 mbar relative / 800... 300 mbar absolute, Hysteresis: 60... 400 mbar
Pressure:	Digital settings 50... 200 mbar relative / 1050... 1200 mbar absolute, Hysteresis: 30... 180 mbar
Pump performance:	Flow rate: 13 litres/min. air at atmospheric pressure
Tubing:	Ø 5 mm internal, 10 mm external Ø, silicone rubber, 50 Shore A, transparent
Filter:	60 mm Ø, 0.45 µm, hydrophobic, polypropylene housing, non-sterile
Power supply:	115 V (100 - 120 VAC) or 230 V (220 - 240 VAC) selectable, 50/60 Hz
Power:	65 W
Fuses:	220 – 240 V = 1.25 A, time-lag, 100 – 120 V = 2.5 A, time-lag
Inputs:	Socket for foot switch
Dimensions, without bottle:	231 x 170 x 196 mm (L x W x H)
Weight without bottle:	3.5 kg (net)
Noise level:	< 70 dB (A)
Operating temperature range:	+ 5°C to + 40°C / max. 80% RH
Storage temperature:	- 10°C to + 50°C / max. 95% RH
Protection:	Standard IP21

12. Accessories

Foot switch incl. cable	143 200
Bottle Set incl.:	158 050
Safety bottle (3 litre), bottle cap, complete with handle, seal, venting screw and tubing, 1.8 m silicone tubing	
Bottle without cap	155 540
Bottle lid, complete, with grip, seal, venting screw and tube connector	158 026
Filter, non-sterile, Ø 60 mm, 0.45 µm	158 015
Set 5 filter, non-sterile, Ø 60 mm, 0.45 µm	155 523
Filter, sterile, Ø 60 mm, 0.45 µm	158 016
Tube connector, 1/4", blue, straight	158 207
Tube connector, 1/4", red, straight	158 208
Tube connector, blue, 90°	158 209
Tube connector, red, 90°	158 210
Siphon tube for pressure bottle, 240 mm	158 220
Silicon tube, 1.8 m	155 506
Tube set bottle-device	158 021

13. Manufacturer and service addresses

Manufacturer:

INTEGRA Biosciences AG
 CH-7000 Chur
 Switzerland
www.integra-biosciences.com
info@integra-biosciences.com

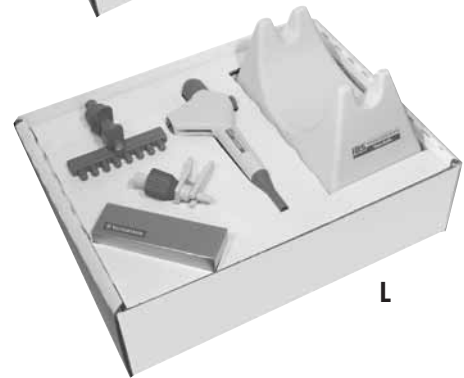
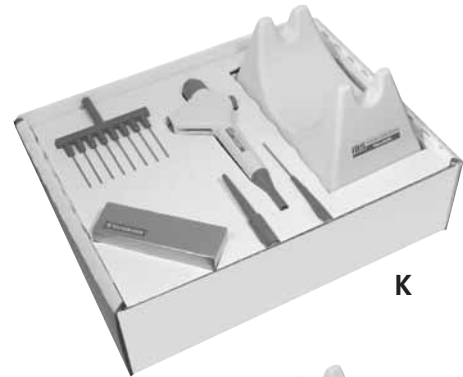
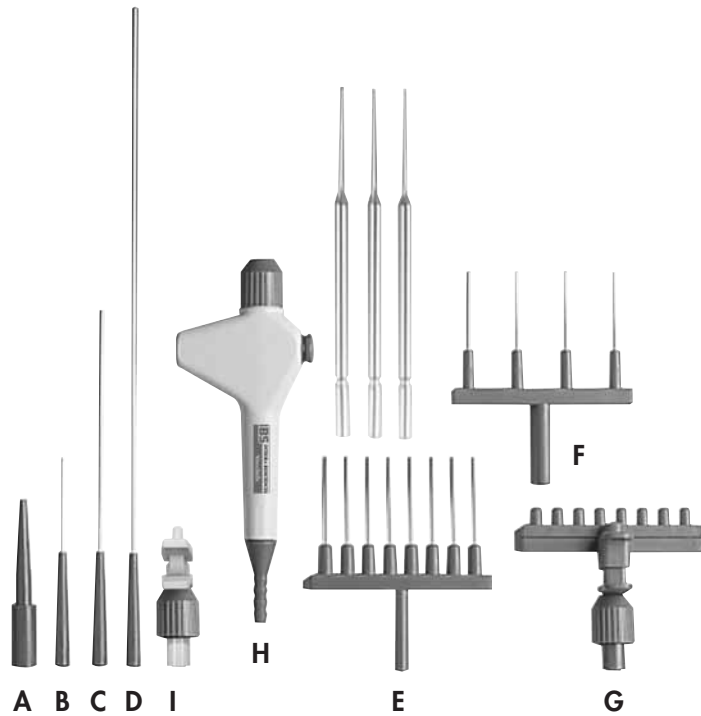
Service:

Contact your local INTEGRA Biosciences distributor. For the name of the distributor nearest you, please visit our website at www.integra-biosciences.com.

14. VACUBOY hand operator accessories:

Description:

A	1-channel plastic suction adapter for disposable tips	155 504
B	1-channel stainless steel suction adapter, 40 mm long	155 502
C	1-channel stainless steel suction adapter, 150 mm long	155 522
D	1-channel stainless steel suction adapter, 280 mm long	155 525
E	8-channel stainless steel suction adapter, 40 mm long	155 503
F	4-channel stainless steel suction adapter, 40 mm long	155 524
G	8-channel plastic suction adapter for disposable tips with ejector device	155 520
H	VACUBOY hand operator, without adapter and accessories, incl. silicone grease and rubber adapter for Pasteur pipettes	155 510
I	1-channel plastic suction adapter for disposable tips with ejector device	155 526
K	VACUBOY hand operator Set 1: Hand operator (H), adapter A, B, E, rubber adapter for Pasteur pipettes, safety stand, Swiss officer's knife, silicone tube 1.8m	155 500
L	VACUBOY hand operator Set 2: Hand operator (H), adapter G, I, rubber adapter for Pasteur pipettes, safety stand, Swiss officer's knife, silicone tube 1.8m	155 515
	VACUBOY safety stand	155 501
	Hand operator bracket for wall mounting	151 005
	Rubber adapter for Pasteur Pipettes	155 505

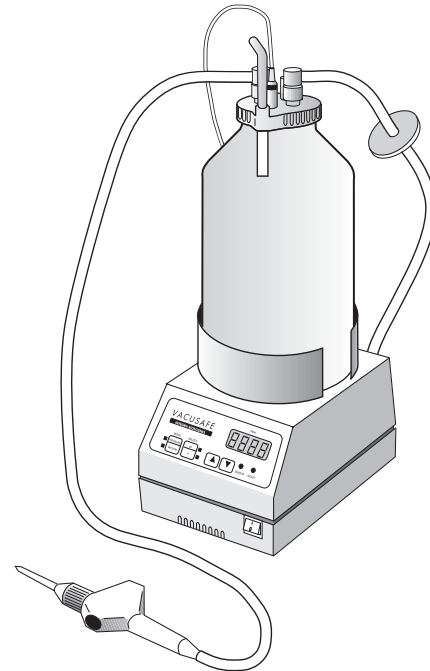




INTEGRA Biosciences AG
CH-7000 Chur, Switzerland
www.integra-biosciences.com
info@integra-biosciences.com

VacuSafe

Absaug-System



Deutsch



Declaration of Conformity

INTEGRA Biosciences (Switzerland) hereby confirms that the product

VacuSafe

is in accordance with the following directives and standards:

73/23/EEC Low voltage equipment
89/336/EEC Electromagnetic compatibility
IEC/EN 61010-1:2001-02
IEC/EN 61326-1+A1:1998+A2:2000

Standards for Canada, USA and Australia:
CAN/CSA-C22.2 No. 1010.1-92
UL Std. No. 3101-1
FCC, Part 15, class A

February 21, 2003

Elmar Morscher
CEO

Thomas Neher
Quality Manager

This equipment has been tested and found to comply with the limits for a Class A digital device, pursuant to both Part 15 of the FCC Rules and the radio interference regulations of the Canadian Department of Communications. These limits are designed to provide reasonable protection against harmful interference when the equipment is operated in a commercial environment. This equipment generates, uses and can radiate radio frequency energy and, if not installed and used in accordance with the instruction manual, may cause harmful interference to radio communications. Operation of this equipment in a residential area is likely to cause harmful interference in which case the user will be required to correct the interface at his own expense.

Ausgabe 8/2003

© Copyright

INTEGRA Biosciences AG - Switzerland

Alle Rechte vorbehalten. Jegliche Vervielfältigung dieses Handbuches, gleich nach welchem Verfahren, ist ohne vorherige schriftliche Genehmigung durch INTEGRA Biosciences, auch auszugsweise, untersagt.

Änderungen ohne vorherige Ankündigung vorbehalten. Unbeschadet obiger Aussage übernimmt INTEGRA Biosciences keinerlei Haftung für etwaige Fehler oder deren Folgen in diesem Handbuch.

Dieses Handbuch hat die Art. Nr. 468126_V01

Dieses Handbuch ist gültig ab Software Version 150

Inhaltsverzeichnis

1. Sicherheitshinweise	5
2. Kurzbeschreibung	8
2.1 Übersicht Frontseite	9
2.2 Anzeige/Tastatur	10
2.3 Übersicht Rückseite	11
3. Inbetriebnahme	12
3.1 Lieferumfang	12
3.2 Aufstellort	13
3.3 Anschluß an Netz	13
3.4 Anschluß des Fußschalters	13
4. Absaugen	14
5. Dispensieren	16
6. Kombiniertes Absaugen und Dispensieren	18
7. Einstellen von Druck, Vakuum und Hysterese ...	21
8. Füllstandsüberwachung	23
8.1 Funktion und Gebrauchshinweise	23
8.2 Aktivieren und Kalibrieren der Füllstandsüberwachung	23
8.3 Deaktivieren der Füllstandsüberwachung	24
9. Wartung und Reinigung	25
9.1 Wartung	25
9.2 Reinigung	25
9.3 Autoklavieren	26
10. Störungsbeseitigung/Technische Hinweise	27
10.1 Störungsbeseitigung	27
10.2 Sicherungswechsel	29
10.3 Netzspannung einstellen	30
10.4 Kalibrieren der Pumpe auf ein neues Sensorkabel	31
10.5 Anzeige der aktuellen Software Versionsnummer	31
11. Technische Daten	32
12. Zubehör	33
13. Hersteller- und Serviceverzeichnis	33
14. Zubehör für VACUBOY Handoperator	34

1. Sicherheitshinweise

Bestimmungsgemäße Verwendung

VacuSafe ist zum kontrollierten, kontaminationsfreiem „Absaugen“ und „Dispensieren“ von Flüssigkeiten in Laborkontrollräumen bestimmt.

Jeder darüber hinausgehende Gebrauch gilt als nicht bestimmungsgemäß.

Allgemeine Gefahren bei Nichtbeachten der Sicherheitshinweise

VacuSafe entspricht dem Stand der Technik und ist betriebsicher. Von VacuSafe können Restgefahren ausgehen, wenn es von ungeschultem Personal unsachgemäß eingesetzt und bedient wird. Jede Person, die mit der Bedienung von VacuSafe beauftragt ist, muß das Handbuch und insbesondere die Sicherheitshinweise gelesen und verstanden haben oder von Vorgesetzten so eingewiesen worden sein, daß sie VacuSafe gefahrlos bedienen kann.

Restgefahren

In dem Handbuch wird auf Restgefahren mit folgenden Begriffen hingewiesen:



Hinweis: Hinweise sind Informationen zur einfachen und korrekten Bedienung von VacuSafe.



Warnung: Warnung weist darauf hin, daß bei Nichtbeachtung der Sicherheitshinweise die Möglichkeit von Sachschäden (Zerstörung von Geräteteilen) besteht.



Gefahr: Gefahr weist darauf hin, daß bei Nichtbeachtung der Sicherheitshinweise die Möglichkeit von Personenschäden besteht.

Unabhängig von den Informationen über Restgefahren ist das von den Flüssigkeiten im Zusammenhang mit dem „Absaugen“ und „Dispensieren“ ausgehende Gefahrenpotential vor dem Arbeitsvorgang zu bewerten und es sind ggf. erforderliche Sicherheitsvorkehrungen zu treffen.

Sicherheitsbewußtes Arbeiten

Unabhängig von den hier angeführten Sicherheitshinweisen sind zusätzlich geltende Bestimmungen und Vorschriften z.B. GLP, GMP, der Berufsgenossenschaften, des Gesundheitsamtes und der Gewerbeaufsicht zu beachten.

Qualifikation des Bedienpersonals

In der Regel ist eine labortechnische Fachausbildung erforderlich. Im Zusammenhang mit dem „Absaugen“ oder „Dispensieren“ von Flüssigkeiten sind Kenntnisse erforderlich, um nicht in sicherheitsgefährdende Situationen mit VacuSafe zu geraten. Dies betrifft die Auswahl der abzusaugenden oder zu dispensierenden Flüssigkeiten hinsichtlich Ihres Gefährdungspotentials und die Entscheidung, ob die Flüssigkeiten mit dem VacuSafe abgesaugt oder dispensiert werden dürfen.

Angelerntes Personal ohne die entsprechende labortechnische Fachausbildung hat diese Qualifikationen i.d.R. nicht und kann diese Aufgaben nur nach Einweisung und unter Aufsicht durch Fachpersonal durchführen.

Sicherheitshinweise für das Verwenderunternehmen

Vorgesetzte des Bedienpersonals müssen den Abschnitt Sicherheitshinweise und die sicherheitsrelevanten Punkte der Bedienung verstehen und einhalten. Sie müssen dafür Sorge tragen, daß das Bedienpersonal die Sicherheitshinweise verstanden hat und beachtet.

Vor Inbetriebnahme ist von den Vorgesetzten zu prüfen, ob durch den Betrieb von VacuSafe in Zusammenhang mit anderen Anlagen oder Anlagenteilen und den abzusaugenden oder zu dispensierenden Flüssigkeiten zusätzliche Gefahren entstehen können.

Falls erforderlich müssen zusätzliche sicherheitstechnische Anweisungen von den Vorgesetzten erstellt werden. Der Betreiber von VacuSafe muß, um Restgefahren auszuschließen, ggf. innerbetriebliche Anweisungen erstellen und sich den Erhalt dieser Anweisungen vom zuständigen Personal bestätigen lassen. Darüber hinaus muß er die Zuständigkeiten für die Arbeiten mit VacuSafe regeln, damit unter sicherheitstechnischen Aspekten klare Kompetenzen existieren.

Verbot von eigenmächtigen Umbauten und Veränderungen

Veränderungen an VacuSafe dürfen nicht vorgenommen werden. Insbesondere dürfen defekte Teile nur durch Original-INTEGRA-Biosciences-Teile ersetzt werden. Instandsetzungsarbeiten dürfen nur von INTEGRA-Biosciences-Servicepersonal durchgeführt werden.

VacuSafe darf ohne unsere ausdrückliche Zustimmung weder konstruktiv noch sicherheitstechnisch verändert werden. Insbesondere sind Veränderungen an Schutzeinrichtungen unzulässig. Jede Veränderung schließt eine Haftung unsererseits für daraus resultierende Schäden aus.

2. Kurzbeschreibung

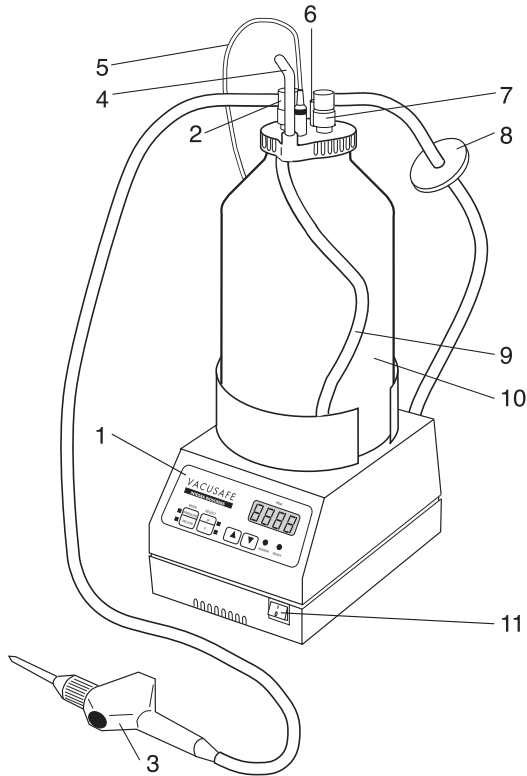
VacuSafe ist eine kontrollierbare Absaugeinrichtung mit integrierter Pumpe und Controller mit einer Vakuum-/ Druckflasche zum „Absaugen“ und „Dispensieren“ von Flüssigkeiten im Labor mit voreinstellbarem Vakuum und Druck. In Verbindung mit dem VACUBOY Handoperator oder einem anderen Schlauch mit Pipettenspitze können Sie Flüssigkeiten kontaminationsfrei absaugen oder dispensieren.

Sie können die Betriebsmodi „Absaugen“ und „Dispensieren“ jeweils einzeln oder kombiniert wählen.

Beim kombinierten Betriebsmodus wird eine zweite Flasche an die Pumpe angeschlossen, so daß gleichzeitig eine Druckflasche und eine Vakuumflasche in Gebrauch ist. Mit der Taste „MODE“ oder einem Fußschalter (Option) kann zwischen den Betriebsmodi „Absaugen“ und „Dispensieren“ gewechselt werden.

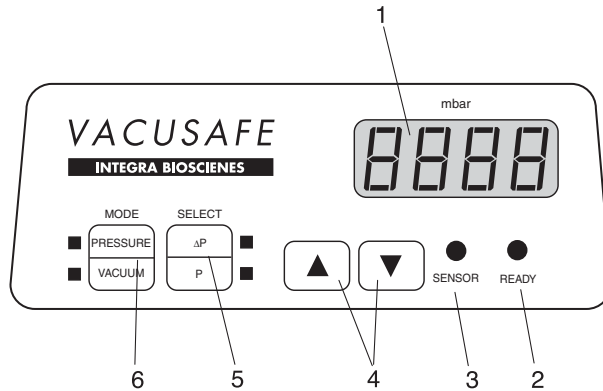
Die Schlauchkupplungen sind selbstschließend. Die Flaschen können damit zum Entsorgen oder Autoklavieren kontaminationsfrei von den Schläuchen und der Pumpe getrennt werden.

2.1 Übersicht Frontseite



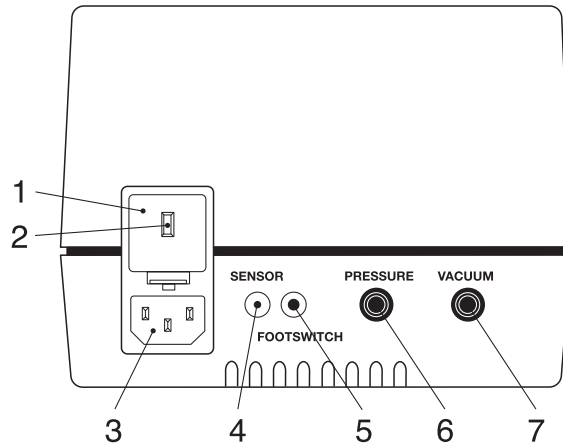
- 1 Tastatur/Anzeige Ein/Aus
- 2 Schlauchkupplung Mediumseite (rot)
- 3 VACUBOY Handoperator (nicht im Lieferumfang enthalten)
- 4 Handgriff
- 5 Sensorkabel
- 6 Entlüftungsschraube
- 7 Schlauchkupplung Pumpenseite (blau)
- 8 Pumpenschlauch mit Filter
- 9 Siphonschlauch
- 10 Druck-/Vakuumflasche
- 11 Netzschalter

2.2 Anzeige/Tastatur



- 1 Anzeige Druck/Vakuum in mbar (bei Vakuum Anzeige mit Minuszeichen)
- 2 LED READY; leuchtet, wenn Druck/Vakuum in der Flasche innerhalb des eingestellten Bereiches ist.
- 3 LED SENSOR; nur im Betriebsmodus „Absaugen“ (VACUUM) aktiv; blinkt,
 - wenn das Medium den Maximalstand in der Flasche erreicht hat und die Flasche entleert werden muß.
 - wenn das Sensorkabel nicht ordnungsgemäß angeschlossen ist.
- 4 Tasten UP und DOWN zum Einstellen der Werte von Hysterese und Druck/Vakuum und Ausschalten Füllstandsüberwachung
- 5 SELECT-Taste; Auswahl der Einstellung von Hysterese (ΔP) oder Druck/Vakuum (P) und Kalibration Füllstandsüberwachung
- 6 MODE-Taste; Umschalten zwischen dem Betriebsmodus „Dispensieren“ (PRESSURE) und dem Betriebsmodus „Absaugen“ (VACUUM)

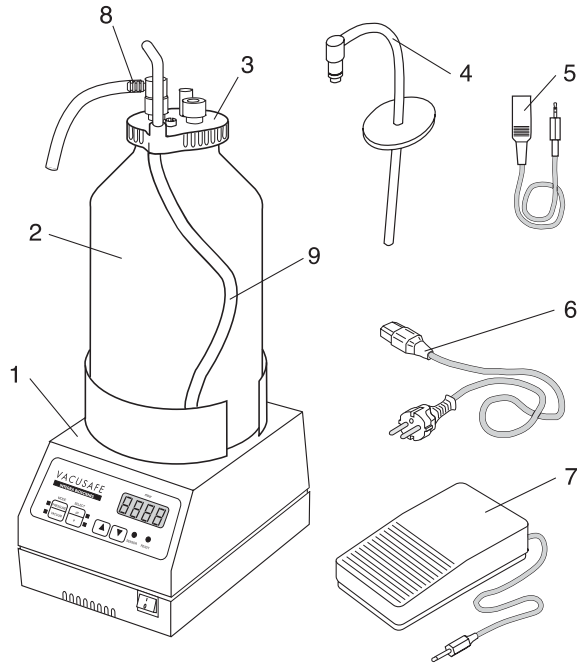
2.3 Übersicht Rückseite



- 1 Sicherungsgehäuse mit zwei Sicherungen
- 2 Netzspannungsanzeige
- 3 Buchse für den Anschluß des Netzkabels
- 4 Buchse zum Anschluß des Sensorkabels
- 5 Buchse zum Anschluß des Fußschalters
- 6 Schlauchstutzen für den Betriebsmodus „Dispensieren“ (PRESSURE)
- 7 Schlauchstutzen für den Betriebsmodus „Absaugen“ (VACUUM)

3. Inbetriebnahme

3.1 Lieferumfang



Der Lieferumfang umfaßt:

- 1 Pumpe VacuSafe
 - 2 Vakuum-/Druckflasche
 - 3 Deckel komplett
 - 4 Schlauch Pumpenseite; komplett mit Filter und Schlauchkupplung
 - 5 Sensorkabel
 - 6 Netzkabel
 - 7 Fußschalter (Option)
 - 8 Schlauch Mediumseite mit Schlauchkupplung
 - 9 Siphonschlauch
- Bedienungsanleitung

Bitte prüfen Sie die Vollständigkeit. Falls Teile fehlen, wenden Sie sich bitte an die INTEGRA Biosciences- Sachbearbeitung.

3.2 Aufstellort

VacuSafe ist für den Einsatz in Laborumgebung vorgesehen.

Nicht zulässig sind Standorte:

- bei denen die Gefahr von Strahlwasser oder der Kontakt mit Chemikalien besteht.
- mit explosionsgefährdeten Umgebungsbedingungen.

Der richtige Standort:

- hat eine stabile, ebene Unterlage
- hat für den kombinierten Betriebsmodus „Absaugen/Dispensieren“ ausreichend Platz zum Aufstellen der zweiten Flasche und des Fußschalters.
- ist genügend belüftet

3.3 Anschluß an Netz

Netzspannung überprüfen

Überprüfen Sie die Netzspannung vor Ort. Sie muß mit der Spannungseinstellung am Gerät übereinstimmen.

Die Netzspannungsanzeige befindet sich an der Rückseite des VacuSafe.



Warnung: Eine falsche Netzspannungseinstellung kann elektrische Komponenten des VacuSafe zerstören.

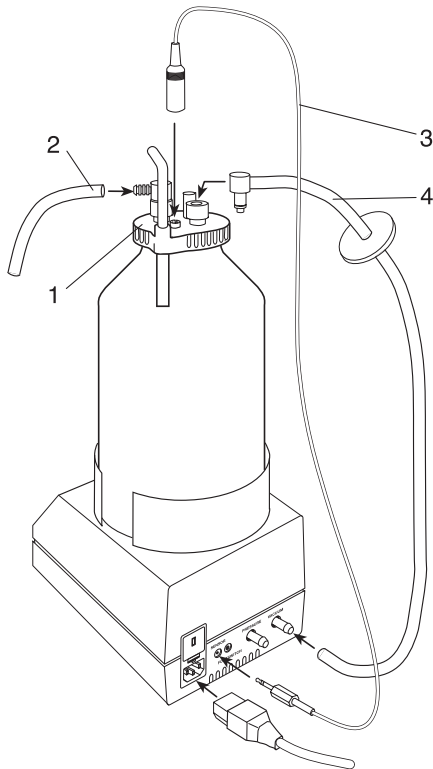
Netzanschluß

Schließen Sie den VacuSafe mit dem mitgelieferten Netzka-
bel an das Netz an.

3.4 Anschluß des Fußschalters

Mit dem Fußschalter können Sie in dem kombinierten Betriebsmodus zwischen „Absaugen“ und „Dispensieren“ wechseln. Er wird als Option mitgeliefert. Der Stecker des Fußschalters wird in die, an der Rückseite des VacuSafe befindliche Buchse mit der Bezeichnung FOOTSWITCH gesteckt.

4. Absaugen



Gefahr: Es dürfen nicht abgesaugt werden:

- Explosionsgefährdende Stoffe
- Ätzende Stoffe, die den Silikonschlauch angreifen
- Stoffe mit Temperaturen über 80°C

1. Vakuumflasche vorbereiten.

Schritte:

- Schalten Sie die Pumpe am Netzschalter aus.
- Achten Sie darauf, daß kein Siphonschlauch am Deckel montiert ist.

2. Modus „Absaugen“ (VACUUM) einstellen.

Schritte:

- Schalten Sie die Pumpe am Netzschalter ein.
- Drücken Sie auf die Taste MODE, bis die LED VACUUM leuchtet.



Hinweis: Beim Absaugen mit Siphonschlauch steigen während des Absaugevorgangs Luftblasen durch das Medium.

- Setzen Sie den Deckel (1) auf die Vakuumflasche. Achten Sie darauf, daß der Deckel fest sitzt.



Hinweis: Drehen Sie den Deckel immer fest! Es kann sonst kein Vakuum in der Flasche aufgebaut werden.

- Verbinden Sie den Deckel (1) und die Pumpe (Anschluß VACUUM) mit dem Schlauch (4) auf der Pumpenseite (blau, mit Filter).
- Achten Sie darauf, daß
 - die blaue Schlauchkupplung in der blauen Buchse sitzt.
 - der Schnellverschluß richtig eingerastet ist („Klick“).



Hinweis: Benutzen Sie auf der Pumpenseite (blau) immer den eingebauten Sterilfilter! Er verhindert, daß Medium in die Pumpe gerät und sie beschädigt.

- Stecken Sie auf der Mediumseite das Schlauchende des VACUBOY Handoperator oder eines anderen Schlauches (2) auf den Schlauchanschluß am roten Schnellverschluß.

- Verbinden Sie den Deckel (1) und die Pumpe (Anschluß SENSOR) mit dem Sensorkabel (3).

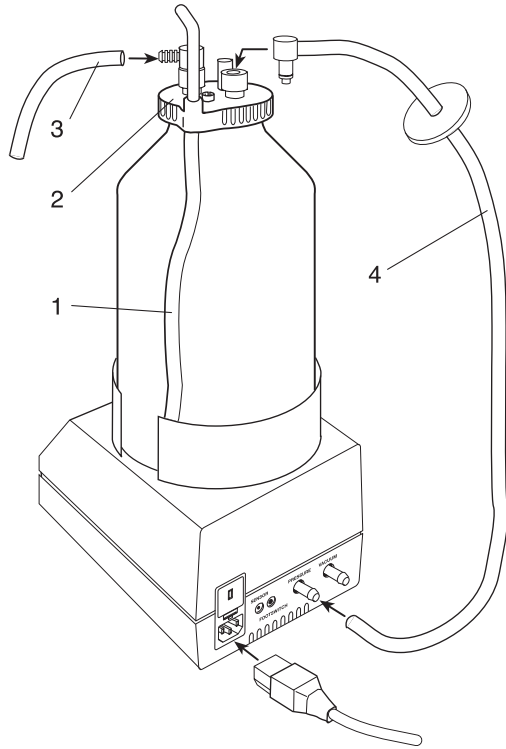
3. Absaugen

- Überprüfen Sie, ob die Entlüftungsschraube geschlossen ist.
- Schalten Sie die Pumpe am Netzschalter ein.
- Stellen Sie, falls erforderlich, die Werte für Vakuum und Hysterese ein.
- Die Pumpe beginnt zu arbeiten.
- Wenn die Flasche voll ist, spricht die Überfüllsicherung an, die rote LED SENSOR blinkt und ein akustischer Alarm ertönt. Die Pumpe stoppt. Es kann nur weitergearbeitet werden, wenn die Flasche vorher entleert wird.



Hinweis: Für eine korrekte Funktion der Füllstandsüberwachung und zur Vermeidung von Schaumbildung empfehlen wir die Verwendung von handelsüblichen Antischaummitteln (z.B. Anti-foam A von Fluka oder Sigma).

5. Dispensieren



Gefahr: Es dürfen nicht dispensiert werden:

- Explosionsgefährdende Stoffe
- Ätzende Stoffe, die den Silikonschlauch angreifen
- Stoffe mit Temperaturen über 80 °C

1. Druckflasche vorbereiten.

Schritte:

- Schalten Sie die Pumpe am Netzschalter aus.
- Achten Sie darauf, daß der Siphonschlauch (1) montiert ist.
- Setzen Sie den Deckel (2) auf die Druckflasche.

2. Modus „Dispensieren“ (PRESSURE) einstellen.

Schritte:

- Schalten Sie die Pumpe am Netzschalter ein.
- Drücken Sie auf die Taste MODE, bis die LED PRESSURE leuchtet.

Achten Sie darauf, daß der Deckel fest sitzt.



Hinweis: Drehen Sie den Deckel immer fest! Es kann sonst kein Druck in der Flasche aufgebaut werden

- Verbinden Sie den Deckel (2) und die Pumpe (Anschluß PRESSURE) mit dem Schlauch (4) auf der Pumpenseite (blau, mit Filter).
- Achten Sie darauf, daß
 - die blaue Schlauchkupplung in der blauen Buchse sitzt.
 - der Schnellverschluß richtig eingerastet ist („Klick“).



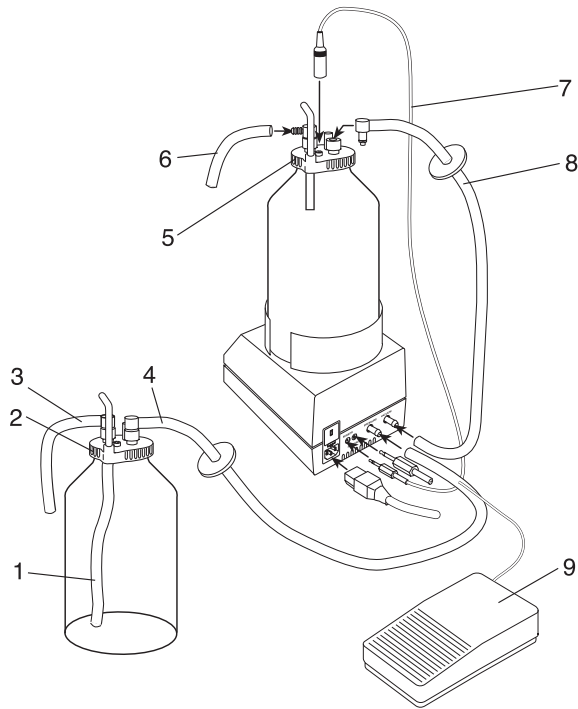
Hinweis: Benutzen Sie auf der Pumpenseite (blau) immer den eingebauten Sterilfilter! Er verhindert, daß Medium in die Pumpe gerät und sie beschädigt.

- Stecken Sie auf der Mediumseite das Schlauchende des VACUBOY Handoperator oder eines anderen Schlauches (3) auf den Schlauchanschluß am roten Schnellverschluß.

3. Dispensieren.

- Überprüfen Sie, ob die Entlüftungsschraube geschlossen ist.
- Schalten Sie die Pumpe am Netzschalter ein.
- Stellen Sie, falls erforderlich, die Werte für Druck und Hysterese ein.
- Die Pumpe beginnt zu arbeiten.

6. Kombiniertes Absaugen und Dispensieren



Für den kombinierten Betriebsmodus „Absaugen“ und „Dispensieren“ benötigen Sie eine Druckflasche und eine Vakuumpumpe.



Gefahr: Es dürfen nicht abgesaugt oder dispensiert werden:

- Explosionsgefährdende Stoffe
- Ätzende Stoffe, die den Silikonschlauch angreifen
- Stoffe mit Temperaturen über 80 ° C

1. Druckflasche vorbereiten.

Schritte:

- Schalten Sie die Pumpe am Netzschalter aus.
- Achten Sie darauf, daß der Siphonschlauch (1) montiert ist.
- Setzen Sie den Deckel (2) auf die Druckflasche. Achten Sie darauf, daß der Deckel fest sitzt.



Hinweis: Drehen Sie den Deckel immer fest! Es kann sonst kein Druck in der Flasche aufgebaut werden.

- Verbinden Sie den Deckel (2) und die Pumpe (Anschluß PRESSURE) mit dem Schlauch (4) auf der Pumpenseite (blau, mit Filter).
- Achten Sie darauf, daß
 - die blaue Schlauchkupplung in der blauen Buchse sitzt.
 - der Schnellverschluß richtig eingerastet ist („Klick“).



Hinweis: Benutzen Sie auf der Pumpenseite (blau) immer den eingebauten Sterilfilter! Er verhindert, daß Medium in die Pumpe gerät und sie beschädigt.

- Stecken Sie auf der Mediumseite das Schlauchende des VACUBOY Handoperator oder eines anderen Schlauches (3) auf den Schlauchanschluß am roten Schnellverschluß.

2. Vakuumflasche vorbereiten.

- Achten Sie darauf, daß kein Siphonschlauch am Deckel montiert ist.



Hinweis: Beim Absaugen mit Siphonschlauch steigen während des Absaugvorgangs Luftblasen durch das Medium.

- Setzen Sie den Deckel (5) auf die Vakuumflasche. Achten Sie darauf, daß der Deckel fest sitzt.



Hinweis: Drehen Sie den Deckel immer fest! Es kann sonst kein Vakuum in der Flasche aufgebaut werden.

- Verbinden Sie den Deckel (5) und die Pumpe (Anschluß VACUUM) mit dem Schlauch (8) auf der Pumpenseite (blau, mit Filter).
- Achten Sie darauf, daß
 - die blaue Schlauchkupplung in der blauen Buchse sitzt.
 - der Schnellverschluß richtig eingerastet ist („Klick“).



Hinweis: Benutzen Sie auf der Pumpenseite (blau) immer den eingebauten Sterilfilter! Er verhindert, daß Medium in die Pumpe gerät und sie beschädigt.

- Stecken Sie auf der Mediumseite das Schlauchende des VACUBOY Handoperator oder eines anderen Schlauches (6) auf den Schlauchanschluß am roten Schnellverschluß.
- Verbinden Sie den Deckel (5) und die Pumpe (Anschluß SENSOR) mit dem Sensorkabel (7).

3. „Absaugen“ und „Dispensieren“.

Schritte:

- Verbinden Sie den Fußschalter (9) mit der Buchse FOOTSWITCH an der Pumpe.
- Überprüfen Sie, ob die Entlüftungsschrauben an beiden Flaschen geschlossen sind.
- Schalten Sie die Pumpe am Netzschalter ein.
- Stellen Sie, falls erforderlich, die Werte für Druck und Vakuum ein.
- Die Pumpe beginnt zu arbeiten.

- Um zwischen „Dispensieren“ und „Absaugen“ zu wechseln drücken Sie auf den Fußschalter oder die Taste MODE.
- Wenn die Vakuumflasche voll ist, spricht die Überfüllsicherung an, die rote LED SENSOR blinkt. Es kann nur weitergearbeitet werden, wenn die Flasche vorher entleert wird.



Hinweis: Für eine korrekte Funktion der Füllstandsüberwachung, und zur Vermeidung von Schaumbildung empfehlen wir die Verwendung von handelsüblichen Antischaummitteln (z.B. Anti-foam A von Fluka oder Sigma).

7. Einstellen von Druck, Vakuum und Hysterese



Hinweis: Die Werte, die Sie am VacuSafe einstellen, sind relativ zum äußeren Luftdruck. Negative Werte (mit einem Minuszeichen) bezeichnen ein Vakuum.

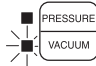
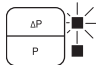
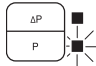
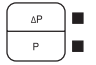
Die Hysterese ist die Druckdifferenz zwischen dem Ein- und Ausschaltpunkt der Pumpe beim Aufbau von Druck oder Vakuum in der Flasche.

Beispiel: es ist ein Druck von 200 mbar und eine Hysterese von 80 mbar eingestellt.

Die Pumpe arbeitet, bis ein Druck von 200 mbar erreicht ist und schaltet dann ab. Während des Dispensierens nimmt der Druck in der Flasche allmählich ab. Die Pumpe schaltet sich bei einem Druck von 120 mbar in der Flasche wieder ein und erhöht den Druck auf den eingestellten Wert von 200 mbar.

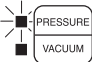
Sie können die Werte von Druck bzw. Vakuum und Hysterese jederzeit einstellen.

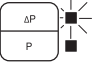
Einstellen von Vakuum und Hysterese

- Schalten Sie die Pumpe am Netzschalter ein. Das aktuelle Vakuum in der Flasche wird angezeigt.
-  Drücken Sie auf die Taste MODE, bis die LED VACUUM leuchtet.
-  Drücken Sie auf die Taste SELECT. Die LED „ ΔP “ leuchtet und der aktuelle Wert der Hysterese wird angezeigt.
- Stellen Sie den gewünschten Wert der Hysterese mit den beiden Tasten \blacktriangle und \blacktriangledown ein.
-  Drücken Sie auf die Taste SELECT. Die LED „P“ leuchtet und der aktuelle Wert des Vakuums wird angezeigt.
- Stellen Sie den gewünschten Wert des Vakuums mit den beiden Tasten \blacktriangle und \blacktriangledown ein.
- Beispiel: $P = -600$ $\Delta P = -200$
-  Drücken Sie auf die Taste SELECT. Die LEDs erlöschen und VacuSafe ist betriebsbereit. Das aktuelle Vakuum in der Flasche wird angezeigt.

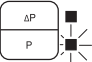
Einstellen von Druck und Hysterese

- Schalten Sie die Pumpe am Netzschalter ein. Der aktuelle Druck in der Flasche wird angezeigt.

-  Drücken Sie auf die Taste MODE, bis die LED PRESSURE leuchtet.

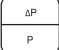
-  Drücken Sie auf die Taste SELECT. Die LED „ΔP“ leuchtet und der aktuelle Wert der Hysterese wird angezeigt.

- Stellen Sie den gewünschten Wert der Hysterese mit den beiden Tasten ▲ und ▼ ein.

-  Drücken Sie auf die Taste SELECT. Die LED „P“ leuchtet und der aktuelle Wert des Drucks wird angezeigt.

- Stellen Sie den gewünschten Wert des Drucks mit den beiden Tasten ▲ und ▼ ein.

- Beispiel: P = 200 ΔP = 50

-  Drücken Sie auf die Taste SELECT. Die LEDs erlöschen und VacuSafe ist betriebsbereit. Der aktuelle Druck in der Flasche wird angezeigt.

8. Füllstandsüberwachung

8.1 Funktion und Gebrauchshinweise

Die Flasche ist mit einer Füllstandsüberwachung ausgestattet, welche verhindert, dass beim Absaugen Schaum oder Flüssigkeit in den Filter oder das Gerät gelangen kann. Sobald Schaum oder Flüssigkeit detektiert wird, stellt die Pumpe ab und es wird ein optischer und akustischer Alarm generiert.

VacuSafe, Sensorkabel und Flaschendeckel bilden eine Einheit und müssen aufeinander kalibriert werden.



Gebrauchshinweise:

- Je nach Verschmutzung am Flaschendeckel kann es nötig sein, den Füllstandssensor periodisch zu kalibrieren.

- Falls Sie mehrere Deckel / VacuSafe besitzen und die Deckel vertauschen, kann es eventuell nötig sein, die Systeme neu zu kalibrieren. Verhindern Sie unbedingt das Vertauschen von VacuSafe und Sensorkabel. Andernfalls müssen Sie eine neue Kalibration durchführen.
- Für eine korrekte Funktion der Füllstandsüberwachung und zur Vermeidung von Schaumbildung empfehlen wir die Verwendung von handelsüblichen Antischaummitteln (z.B. Antifoam A von Fluka oder Sigma)

8.2 Aktivieren und Kalibrieren der Füllstandsüberwachung

Zum Aktivieren und gleichzeitigem Kalibrieren der Füllstandsüberwachung gehen sie wie folgt vor:

- Verbinden Sie das Sensorkabel mit dem Grundgerät und der Vakuumflasche.
- Achten Sie darauf, dass die Vakuumflasche leer und die Sensorstifte im Deckel trocken sind !
- Schalten Sie den VacuSafe am Netzschalter aus.

- Drücken Sie die Taste SELECT und schalten Sie gleichzeitig VacuSafe am Netzschalter wieder ein.
- Halten Sie die Taste SELECT gedrückt bis die Zahl 100 oder höher (Software Versionsnummer) in der Anzeige erscheint.
- Lassen Sie die Taste SELECT los und warten Sie 5 Sekunden. VacuSafe ist nun auf das neue Kabel kalibriert.
- Falls die Kalibration fehlgeschlagen ist, ertönt ein periodischer Doppelton und die Sensoranzeige leuchtet auf. Prüfen Sie die Kabelverbindung, reinigen und trocknen Sie den Deckel und wiederholen Sie den Kalibriervorgang.
Bis zum Deaktivieren (siehe Kapitel 8.3) bleibt die Füllstandsüberwachung nun eingeschaltet.

8.3 Deaktivieren der Füllstandsüberwachung

Zum Deaktivieren der Füllstandsüberwachung gehen sie wie folgt vor:

- Schalten Sie den VacuSafe am Netzschalter aus.
- Drücken Sie die beiden Tasten UP und DOWN und schalten Sie gleichzeitig VacuSafe am Netzschalter wieder ein.
- Halten Sie die die beiden Tasten UP und DOWN gedrückt bis die Zahl 100 oder höher (Software Versionsnummer) in der Anzeige erscheint und wieder verlischt.
- Lassen Sie die beiden Tasten UP und DOWN los und warten Sie 5 Sekunden. Die Füllstandsüberwachung ist nun deaktiviert.

Wenn die Füllstandsüberwachung deaktiviert ist, wird bei jedem Einschalten des VacuSafe als Hinweis dreimal die Sensoranzeige und das akustische Signal eingeschaltet. Wollen Sie die Füllstandsüberwachung wieder aktivieren, gehen Sie gemäss Kapitel 8.2 vor.

9. Wartung und Reinigung

9.1 Wartung

Eine besondere Wartung und Pflege ist nicht erforderlich.

Wenn die Dispensier- oder Absaugleistung der Pumpe nachläßt, müssen Filter und Schlauch auf der Pumpenseite ersetzt werden.

9.2 Reinigung



Gefahr: Ziehen Sie vor dem Reinigen den Netzstecker!



Warnung: Achten Sie beim Zusammenbau der Teile nach der Reinigung darauf, daß die Schläuche richtig montiert werden. Bei Verwechslung saugt die Pumpe in dem Betriebsmodus „Absaugen“ das Medium an und wird zerstört.



Warnung: Chlorlösungen und andere aggressive Chemikalien können die Gerätefunktion beeinträchtigen. Um Langzeitschäden zu vermeiden, sollten solche Chemikalien nicht über längere Zeit im System belassen werden.

Pumpe/Sensorkabel:

- Verschmutzungen können Sie mit einem feuchten Tuch mit Seifenwasser oder normalen, warmen Wasser oder mit 70% Alkohol lösen. Verwenden Sie dazu eine fusselfreies Tuch oder einen Pinsel.
- Verwenden Sie niemals aggressive Lösungen, wie Nitro- Verdüner oder ähnliches.
- Entfernen Sie Rückstände niemals mit einem Kratzer oder Schaber.
- Entfernen Sie Rückstände keinesfalls durch Abflammen.

Flasche und Deckel:

Sie können die Flasche und den kompletten Deckel ohne das Sensorkabel gemäß den Vorschriften für die Glasreinigung behandeln. Sie können Flasche und Deckel auch in der Spülmaschine reinigen.



Warnung: Ziehen Sie das Sensorkabel vor dem Spülen in der Spülmaschine vom Flaschendeckel ab! Das Sensorkabel kann sonst zerstört werden.

9.3 Autoklavieren

Sie können die Flasche und den kompletten Flaschendeckel mit Schlauchkupplungen und Schläuchen bis **max. 121°C** autoklavieren. **Das Sensorkabel muß vorher abgezogen und die Schlauchkupplungen dekonnektiert werden.**



Warnung: Ziehen Sie das Sensorkabel vor dem Autoklavieren vom Flaschendeckel ab! Das Sensorkabel kann bei diesen Temperaturen zerstört werden.



Hinweis:

- Öffnen Sie vor dem Autoklavieren die Entlüftungsschraube, damit während des Autoklavierens keine Überdruck entsteht.
- Schrauben Sie für den Autoklaviervorgang den Deckel nur lose auf die Flasche.

Für die korrekte Sterilisation von Flüssigkeiten und Behältern konsultieren Sie bitte die Betriebsanleitung ihres Autoklaven.



Warnung: Flaschendeckel immer montiert autoklavieren, da sonst die Gefahr besteht, dass sich der Flaschendeckel verzieht.



Warnung: Schlauchkupplungen vor dem Autoklavieren immer dekonnektieren, da sonst die Kupplungen zerstört werden.



Warnung: Der Filter kann zur Sterilisierung autoklaviert werden, darf aber nicht wiederverwendet werden.

10. Störungsbeseitigung/Technische Hinweise

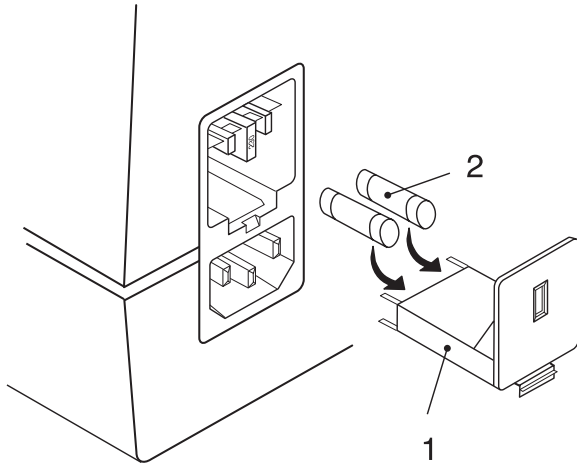
10.1 Störungsbeseitigung

Störung	Ursache	Abhilfe
<p>Die Pumpe läßt sich im Betriebsmodus „Absaugen“ nicht starten, die rote LED SENSOR blinkt.</p>	<ul style="list-style-type: none"> • Das Sensorkabel ist nicht eingesteckt. • Die Elektroden im Flascheninneren sind verbogen und haben Kontakt. • Das Medium oder Schaum in der Flasche hat den Maximalstand erreicht. • Füllstandsüberwachung ist nicht kalibriert. 	<ul style="list-style-type: none"> • Schließen Sie das Sensorkabel an. • Biegen Sie die Elektroden vorsichtig auseinander. • Reinigen Sie den Deckel zwischen den Elektroden. • Leeren Sie die Flasche aus. • Kalibrieren Sie die Füllstandsüberwachung.
<p>VacuSafe gibt im Betriebsmodus „Dispensieren“ kein Medium ab.</p>	<ul style="list-style-type: none"> • Der Siphonschlauch ist nicht montiert. 	<ul style="list-style-type: none"> • Montieren Sie den Siphonschlauch.
<p>Die Pumpe hört nicht mehr auf zu arbeiten und VacuSafe bildet kein Vakuum/keinen Druck.</p>	<ul style="list-style-type: none"> • Die Entlüftungsschraube ist geöffnet. • Der Schnellverschluß einer Schlauchkupplung sitzt nicht richtig. • Der Schlauch steckt an der Pumpe auf dem falschem Anschluß. 	<ul style="list-style-type: none"> • Drehen Sie die Entlüftungsschraube zu. • Drücken Sie den Schnellverschluß, bis er eingerastet ist. • Stecken Sie den Schlauch auf den richtigen Anschluß.

10.1 Störungsbeseitigung (Fortsetzung)

Störung	Ursache	Abhilfe
VacuSafe saugt nicht genügend.	<ul style="list-style-type: none">• Der Filter ist verstopft.	<ul style="list-style-type: none">• Setzen Sie einen neuen Filter ein.
VacuSafe startet nicht.	<ul style="list-style-type: none">• Die Sicherung ist durchgebrannt oder die Spannung ist falsch eingestellt.	<ul style="list-style-type: none">• Wechseln Sie die Sicherung bzw. prüfen Sie die Einstellung am Spannungswahlschalter.
Füllstandsüberwachung funktioniert nicht.	<ul style="list-style-type: none">• Die Füllstandsüberwachung ist deaktiviert.	<ul style="list-style-type: none">• Füllstandsüberwachung aktivieren.
Pumpe läuft nicht an. Kein Vacuum. Displayanzeige läuft.	<ul style="list-style-type: none">• Pumpenmotor ist überhitzt wegen Dauerlauf und hoher Umgebungstemperatur.	<ul style="list-style-type: none">• Verhindern Sie unnötigen Vacuumverlust und Dauerlauf der Pumpe durch Verwendung des Handoperators VACUBOY oder einer Schlauchklemme (während Arbeitspausen)

10.2 Sicherungswechsel



Das Sicherungsgehäuse befindet sich an der Rückseite des VacuSafe.



Gefahr: Ziehen Sie vor dem Sicherungswechsel das Netzkabel!

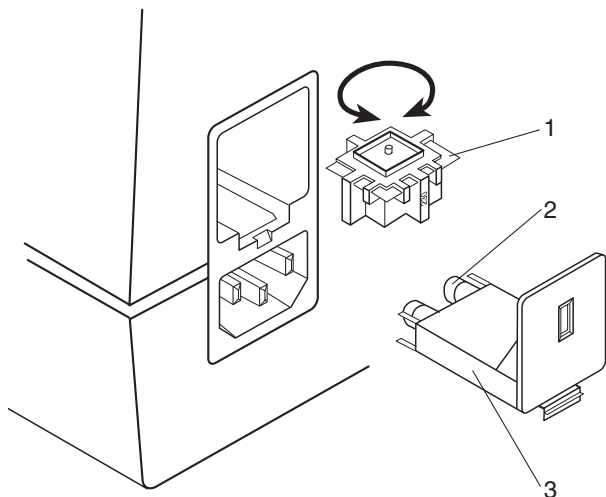


Hinweis: Werte der Sicherungen siehe unter technische Daten.

Schritte:

- Ziehen Sie das Netzkabel ab.
- Ziehen Sie das Sicherungsgehäuse (1) mit einem geeigneten Schraubendreher etc. heraus.
- Ersetzen Sie die alten Sicherungen (2) durch zwei Neue. Verwenden Sie nur Sicherungen mit den angegebenen Werten.
- Schieben Sie das Sicherungsgehäuse mit den beiden Sicherungen wieder in das Gehäuse.

10.3 Netzspannung einstellen



VacuSafe ist ab Werk auf Ihre landesspezifische Netzspannung eingestellt.

Stellen Sie, falls erforderlich, die Netzspannung um. Der Einsatz für die Spannungseinstellung ist nach dem Öffnen des Sicherungsgehäuse an der Rückseite des VacuSafe zugänglich.



Gefahr: Ziehen Sie vor dem Sicherungswechsel das Netzkabel!



Gefahr: Verwenden Sie die zu den jeweiligen Netzspannungen vorgegebenen Sicherungen!



Hinweis: Werte der Sicherungen siehe unter technische Daten.

Schritte:

- Ziehen Sie das Netzkabel ab.
- Ziehen Sie das Sicherungsgehäuse (3) mit einem geeigneten Schraubendreher etc. heraus.
- Ziehen Sie den Einsatz für die Spannungseinstellung (1) heraus.

-
- Drehen Sie den Einsatz für die Spannungseinstellung so, daß Sie die Beschriftung für die gewünschte Spannung (115 V oder 230 V) sehen.
 - Schieben Sie den Einsatz für die Spannungseinstellung wieder in das Gehäuse.
 - Ersetzen Sie die Sicherungen (2) durch zwei Sicherungen mit den Werten, die zur Spannung passen.
 - Schieben Sie das Sicherungsgehäuse mit den beiden Sicherungen wieder in das Gehäuse.
 - Überprüfen Sie, ob die korrekte Spannung im Fenster des Sicherungsgehäuses zu sehen ist.

10.4 Kalibrieren der Pumpe auf ein neues Sensorkabel

VacuSafe ist auf das mitgelieferte Sensorkabel kalibriert. Wenn Sie ein Ersatzkabel verwenden, muß das Gerät auf das neue Kabel kalibriert werden (siehe Kapitel 8)

10.5 Anzeige der aktuellen Software Versionsnummer

Die aktuelle Software Versionsnummer wird während der Aktivierung und Kalibrierung der Füllstandsüberwachung angezeigt. Siehe Kapitel 8.2.

11. Technische Daten

Geräteart:	Mikroprozessorgesteuerte Vakuum- und Druckeinheit für das kontrollierte, kontaminationsfreie „Absaugen“ und „Dispensieren“ von Flüssigkeiten mit voreinstellbarem Vakuum bzw. Druck und Hysterese.
Vakuum:	Digital einstellbar von -200... -700 mbar relativ, bzw. 800... 300 mbar absolut. Hysterese: 60... 400 mbar
Druck:	Digital einstellbar von 50... 200 mbar relativ, bzw. 1050... 1200 mbar absolut. Hysterese: 30... 180 mbar
Pumpleistung:	13 Liter/min. Luft bei atm. Druck
Schläuche:	Ø 5 mm innen, Ø 10 mm außen, Silikonkautschuk 50 Shore A transparent
Filter:	Ø 60 mm, 0,45 µm, hydrophob, Gehäuse aus Polypropylen, unsteril
Stromversorgung:	115 V (100 - 120 VAC) oder 230 V (220 - 240 VAC), selektierbar, 50/60 Hz
Leistungsaufnahme:	65 W
Sicherung:	220 - 240 V = 1.25 A träge, 100 - 120 V = 2.5 A träge
Eingänge:	Buchse für Anschluß Fußschalter
Abmessungen ohne Flasche:	231 mm x 170 mm x 196 mm (LxBxH)
Gewicht ohne Flasche:	3.5 kg (netto)
Schallpegel:	< 70 dB(A)
Betriebsbedingungen:	+ 5°C bis + 40°C / max. 80% RH
Lagerungsbedingungen:	- 10°C bis + 50°C / max. 95% RH
Schutzart:	IP 21

12. Zubehör

Fussschalter komplett	143 200
Flaschen-Set inklusive: Sicherheitsflasche (3 Liter), Flaschendeckel, komplett mit Tragegriff, Dichtung, Entlüftungsschraube und Schlauchkupplungen, Silikon- schlauch 1.8 m	158 050
Flasche ohne Deckel	155 540
Flaschendeckel kompl. mit Handgriff, Dichtung, Entlüftungsschraube und Schlauchkupplung	158 026
Filter unsteril, Ø 60 mm, 0,45 µm	158 015
Set 5 Filter unsteril, Ø 60 mm, 0,45 µm	155 523
Filter steril, Ø 60 mm, 0,45 µm	158 016
Schlauchkupplung 1/4", blau, gerade	158 207
Schlauchkupplung 1/4", rot, gerade	158 208
Schlauchkupplung blau, 90°	158 209
Schlauchkupplung rot, 90°	158 210
Steigrohr zu Druckflasche, 240 mm	158 220
Silikonschlauch 1.8 m	155 506
Schlaucheinheit Flasche-Gerät	158 021

13. Hersteller- und Serviceverzeichnis

Hersteller:

INTEGRA Biosciences AG
CH-7000 Chur
Switzerland
www.integra-biosciences.com
info@integra-biosciences.com

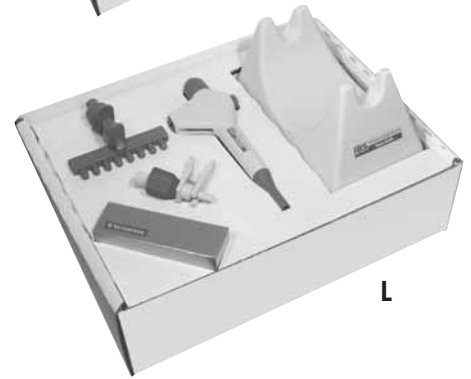
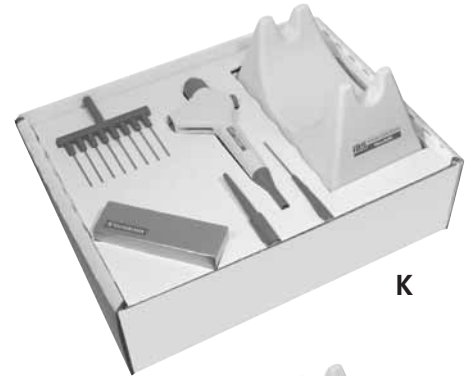
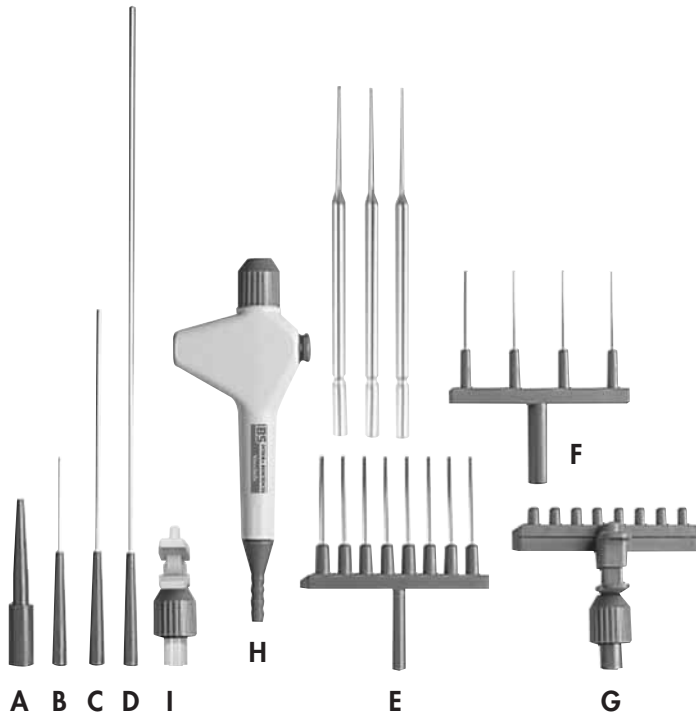
Kundendienst:

Bitte kontaktieren Sie die lokale
INTEGRA Biosciences Vertretung.
Name und Adresse finden Sie auf unserer
Webseite www.integra-biosciences.com

14. Zubehör für VACUBOY Handoperator

Beschreibung:

A	1-Kanal-Kunststoff-Absaugadapter für Einweg-Tips	155 504
B	1-Kanal-Edelstahl-Absaugadapter, 40 mm lang	155 502
C	1-Kanal-Edelstahl-Absaugadapter, 150 mm lang	155 522
D	1-Kanal-Edelstahl-Absaugadapter, 280 mm lang	155 525
E	8-Kanal-Edelstahl-Absaugadapter, 40 mm lang	155 503
F	4-Kanal-Edelstahl-Absaugadapter, 40 mm lang	155 524
G	8-Kanal-Kunststoff-Absaugadapter für Einweg-Tips mit Abwurfvorrichtung	155 520
H	VACUBOY Handoperator, ohne Adapter und Zubehör, inkl. Silikonfett und Gummi-Adapter für Pasteurpipetten	155 510
I	1-Kanal-Kunststoff-Absaugadapter für Einweg-Tips mit Abwurfvorrichtung	155 526
K	VACUBOY Handoperator-Set 1: Handoperator (H), Adapter A, B, E, Gummi-Adapter für Pasteur-Pipetten, Sicherheitsständer, Schweizer Offiziersmesser, Silikonschlauch 1.8m	155 500
L	VACUBOY Handoperator-Set 2: Handoperator (H), Adapter G, I, Gummi-Adapter für Pasteur-Pipetten, Sicherheitsständer, Schweizer Offiziersmesser, Silikonschlauch 1.8m	155 515
	VACUBOY Sicherheitsständer	155 501
	Handoperator-Halter für Wandmontage	151 005
	Haltegummi für Pasteur Pipetten	155 505



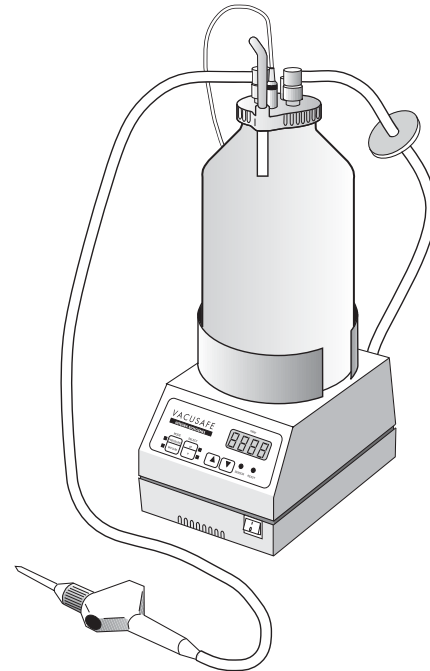


INTEGRA Biosciences AG
CH-7000 Chur, Switzerland
www.integra-biosciences.com
info@integra-biosciences.com

Mode d'emploi

VacuSafe

Système d'aspiration



Français



Declaration of Conformity

INTEGRA Biosciences (Switzerland) hereby confirms that the product

VacuSafe

is in accordance with the following directives and standards:

73/23/EEC Low voltage equipment
89/336/EEC Electromagnetic compatibility
IEC/EN 61010-1:2001-02
IEC/EN 61326-1+A1:1998+A2:2000

Standards for Canada, USA and Australia:
CAN/CSA-C22.2 No. 1010.1-92
UL Std. No. 3101-1
FCC, Part 15, class A

February 21, 2003

Elmar Morscher
CEO

Thomas Neher
Quality Manager

This equipment has been tested and found to comply with the limits for a Class A digital device, pursuant to both Part 15 of the FCC Rules and the radio interference regulations of the Canadian Department of Communications.

These limits are designed to provide reasonable protection against harmful interference when the equipment is operated in a commercial environment.

This equipment generates, uses and can radiate radio frequency energy and, if not installed and used in accordance with the instruction manual, may cause harmful interference to radio communications.

Operation of this equipment in a residential area is likely to cause harmful interference in which case the user will be required to correct the interface at his own expense.

Edition 8/2003

© Copyright

INTEGRA Biosciences AG - Suisse

Tous droits réservés. Toute reproduction, même partielle, de ce manuel est interdite, quel qu'en soit le procédé, sans l'autorisation préalable écrite d'INTEGRA Biosciences.

Sous réserve de modifications sans préavis.

Nonobstant la déclaration ci-dessus, INTEGRA

Biosciences décline toute responsabilité pour toute erreur éventuellement commise dans le présent manuel et pour ce qui en découlerait.

Ce manuel porte la référence 468126_V01

Ce manuel est valable à partir de la version de logiciel 150

Sommaire

1. Conseils de sécurité	5
2. Description brève	8
2.1 Vue frontale	9
2.2 Affichage/Clavier	10
2.3 Vue du dos de l'appareil	11
3. Mise en service	12
3.1 Équipement de la fourniture	12
3.2 Lieu d'installation	13
3.3 Raccordement au réseau électrique	13
3.4 Raccordement du commutateur au pied	13
4. Aspiration	14
5. Distribution	16
6. Aspiration et distribution combinées	18
7. Réglage de la pression, du vide et de l'hystérésis	21
8. Surveillance de niveau	23
8.1 Fonctionnement et instructions d'emploi	23
8.2 Activation et calibrage de la surveillance de niveau	23
8.3 Désactivation de la surveillance de niveau	24
9. Entretien et nettoyage	25
9.1 Entretien	25
9.2 Nettoyage	25
9.3 Autoclavage	26
10. Élimination des dérangements/Remarques techniques	27
10.1 Élimination des dérangements	27
10.2 Changement de fusible	29
10.3 Réglage de la tension d'alimentation	30
10.4 Étalonnage de la pompe pour un autre câble de capteur	31
10.5 Affichage du numéro actuel de version du logiciel	31
11. Caractéristiques techniques	32
12. Accessoires	33
13. Liste fabricant et services après-vente	33
14. Accessoires pour la poignée de travail VACUBOY	34

1. Conseils de sécurité

Utilisation correcte

Le VacuSafe est destiné à assurer «l'aspiration» et «la distribution» contrôlées et aseptiques de liquides dans les travaux de laboratoires.

Tout usage en dehors de ce cadre constitue une utilisation incorrecte.

Dangers de caractère général en cas de non-observation des conseils de sécurité

Le VacuSafe correspond à l'état actuel de la technique et fonctionne en toute sécurité. Le VacuSafe peut cependant être une source de dangers résiduels s'il est utilisé ou manié de façon inappropriée par du personnel non formé. Toute personne chargée de la commande du VacuSafe doit avoir lu et compris le présent manuel, et en particulier les conseils de sécurité, ou bien avoir été initiée par des supérieurs au maniement de l'appareil de façon à pouvoir le commander en toute sécurité.

Dangers résiduels

Dans le présent manuel, les dangers résiduels existants sont signalés au moyen des termes suivants:



Conseil: Les conseils sont des informations permettant une utilisation aisée et correcte du VacuSafe.



Attention: Le signal d'attention indique que, en cas de non-observation des conseils de sécurité, il peut se produire des dégâts matériels (destruction de pièces de l'appareil).



Danger: Ce signal de danger indique que, en cas de non-observation des conseils de sécurité, il peut se produire des dommages corporels.

Indépendamment des informations relatives aux dangers résiduels existants il faut, avant tout processus de travail, évaluer les dangers potentiels émanant des liquides eux-mêmes en relation avec les opérations «d'aspiration» et de «distribution» et prendre les mesures de sécurité éventuellement nécessaires.

Travail en toute sécurité

Indépendamment des conseils de sécurité donnés ici, il faut en plus tenir compte de la réglementation et des prescriptions en vigueur, comme par exemple les GLP (Règles de Bonne Pratique au Laboratoire), les GMP (Règles de Bonne Fabrication) ainsi que la réglementation des Caisses Mutuelles d'Assurance Accidents, du Service de l'Hygiène et de la Santé Publique, et de l'Inspection du travail et de la Main-d'œuvre.

Qualification du personnel de conduite

En règle générale il est nécessaire de disposer d'une formation professionnelle de laborantin ou laborantine. La «distribution» et «l'aspiration» de liquides exigent en outre de disposer de connaissances appropriées afin d'éviter les situations dangereuses lors du fonctionnement du VacuSafe. Ceci concerne aussi bien le choix des liquides à distribuer ou aspirer du point de vue de leurs dangers potentiels que le problème de trancher s'il est permis d'aspirer ou de distribuer les liquides en question au moyen du VacuSafe.

Le personnel sans formation professionnelle de laborantin ou laborantine et formé sur le tas ne dispose pas en général de cette qualification et ne peut donc remplir ces tâches qu'après une instruction appropriée et seulement sous la surveillance de personnes qualifiées.

Conseils de sécurité à l'usage du laboratoire

Les supérieurs du personnel de conduite devront comprendre et respecter la section Conseils de sécurité ainsi que les instructions de service relatives à la sécurité. Ils devront veiller à ce que le personnel de conduite ait compris et respecte ces conseils de sécurité.

Avant la mise en service, les supérieurs hiérarchiques doivent examiner si le fonctionnement du VacuSafe en relation avec d'autres installations ou parties d'installations ainsi qu'avec les liquides à distribuer ou aspirer peut conduire à des dangers supplémentaires.

Le cas échéant, ces supérieurs devront élaborer des instructions de sécurité additionnelles. L'exploitant du VacuSafe devra, afin d'éliminer les dangers résiduels, élaborer éventuellement des instructions internes à l'entreprise et se faire confirmer la réception de ces instructions par le personnel compétent. Il devra en outre fixer les compétences relatives aux travaux à exécuter à l'aide du VacuSafe afin qu'il existe des responsabilités claires du point de vue de la sécurité.

Interdiction de modifications et transformations sans autorisation

Il n'est pas permis d'effectuer des modifications sur le VacuSafe. En particulier, on ne doit remplacer les pièces défectueuses que par des pièces d'origine INTEGRA Biosciences. Seul le personnel du service après-vente d'INTEGRA Biosciences est habilité à effectuer des travaux de maintenance.

On ne doit pas procéder à des modifications relatives à la construction ou à la sécurité du VacuSafe sans notre approbation expresse. En particulier, il n'est pas permis de modifier les dispositifs de protection. Nous déclinons toute responsabilité pour les dommages résultant d'une modification effectuée sur nos appareils.

2. Description brève

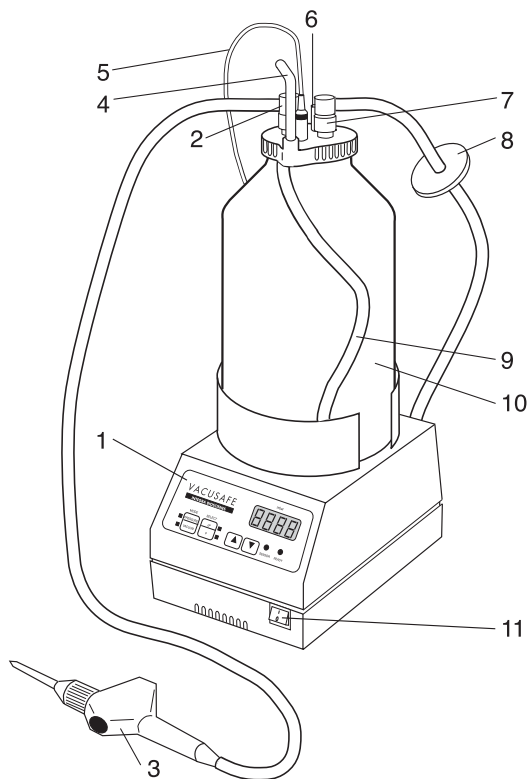
Le VacuSafe est un dispositif d'aspiration contrôlable muni d'une pompe intégrée, d'un régulateur, et d'un flacon à pression ou à vide permettant «d'aspirer» ou de «distribuer» des liquides de laboratoires au moyen d'une pression ou d'un vide réglables à l'avance. En l'associant à la poignée de travail VACUBOY ou tout autre tuyau muni d'une pointe de pipette, vous pourrez aspirer ou distribuer des liquides sans aucune contamination.

Vous pourrez sélectionner les modes de fonctionnement «Aspiration» et «Distribution» séparément, ou bien les combiner.

Dans le cas du mode de fonctionnement combiné, on raccorde un deuxième flacon à la pompe de façon à avoir simultanément en service un flacon à pression et un flacon à vide. La touche «MODE» ou un commutateur au pied (option) permet alors de passer du mode «Aspiration» au mode «Distribution» et inversement.

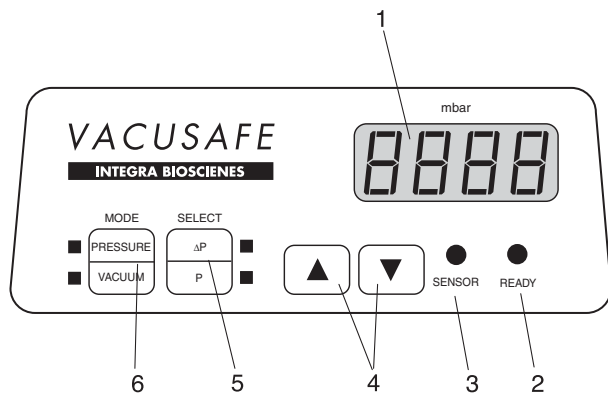
Les raccords des tuyaux sont à fermeture instantanée. On peut ainsi séparer les flacons de leurs tuyaux et de la pompe sans provoquer aucune contamination, pour l'autoclavage ou l'élimination.

2.1 Vue frontale



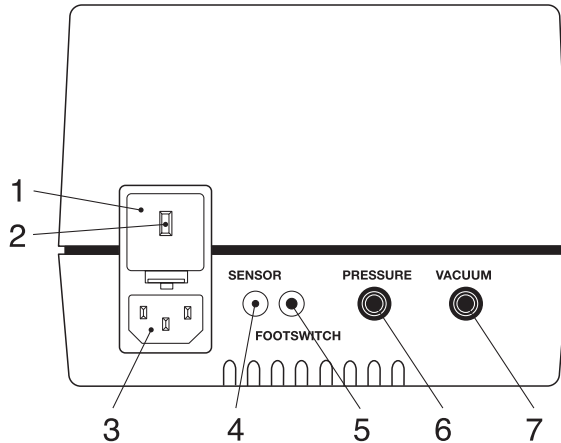
- 1 Clavier/Affichage Marche/Arrêt
- 2 Raccord de tuyau Côté produit (rouge)
- 3 Poignée de travail VACUBOY (ne fait pas partie de la livraison)
- 4 Poignée de transport
- 5 Câble de capteur
- 6 Vis d'évacuation d'air
- 7 Raccord de tuyau Côté pompe (bleu)
- 8 Tuyau de pompe avec filtre
- 9 Tuyau de siphon
- 10 Flacon à pression/à vide
- 11 Interrupteur d'alimentation

2.2 Affichage/Clavier



- 1 Affichage Pression/Vide en mbar (affichage du vide avec un signe moins)
- 2 LED READY; elle est allumée lorsque la pression ou le vide régnant à l'intérieur du flacon se trouve dans la plage réglée.
- 3 LED SENSOR; ne fonctionne que dans le mode "Aspiration" (VACUUM); elle clignote
 - lorsque le produit manipulé a atteint le niveau maximal dans le flacon et qu'il faut vider celui-ci;
 - lorsque le câble du capteur n'est pas correctement raccordé.
- 4 Touches UP et DOWN permettant de régler les valeurs de l'hystérésis et de Pression/Vide et de déconnecter la surveillance de niveau.
- 5 Touche SELECT : sélection du réglage de l'hystérésis (ΔP) ou de la valeur Pression/Vide (P) et calibrage de la surveillance de niveau.
- 6 Touche MODE; passage du mode «Distribution» (PRESSURE) au mode «Aspiration» (VACUUM) et inversement.

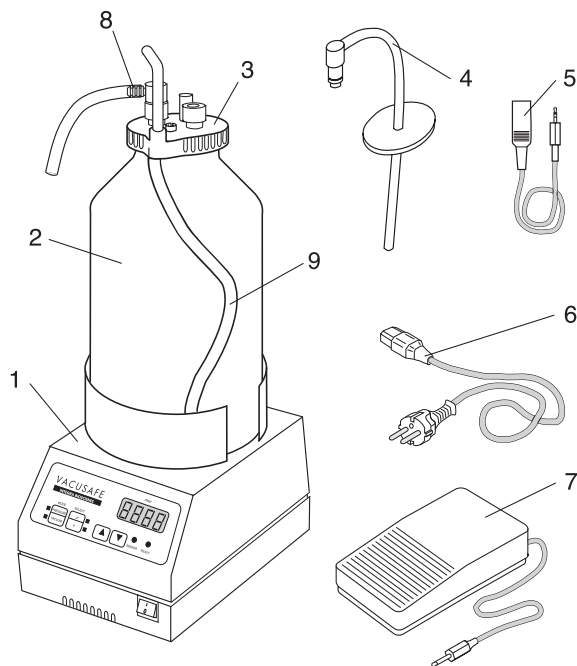
2.3 Vue du dos de l'appareil



- 1 Boîtier à fusibles contenant deux fusibles
- 2 Indication de la tension d'alimentation (EU, USA, ...)
- 3 Fiche pour raccordement du câble d'alimentation
- 4 Prise de raccordement du câble du capteur
- 5 Prise de raccordement du commutateur au pied
- 6 Orifice de tuyau pour le mode de fonctionnement «Distribution» (PRESSURE = Pression)
- 7 Orifice de tuyau pour le mode de fonctionnement «Aspiration» (VACUUM = Vide)

3. Mise en service

3.1 Équipement de la fourniture



La fourniture se compose des éléments suivants:

- 1 Pompe VacuSafe
- 2 Flacon à pression ou à vide
- 3 Couvercle complet
- 4 Tuyau Côté pompe; complet, avec filtre et raccord
- 5 Câble du capteur
- 6 Câble d'alimentation
- 7 Commutateur au pied (option)
- 8 Tuyau Côté produit avec raccord de tuyau
- 9 Tuyau de siphon

Mode d'emploi

Veuillez contrôler l'intégralité de la livraison. Au cas où des pièces manqueraient, adressez-vous à INTEGRA Biosciences, Service Clientèle.

3.2 Lieu d'installation

Le VacuSafe est prévu pour une utilisation dans l'environnement d'un laboratoire.

Ne sont pas permis les emplacements:

- où il y a danger de projections d'eau ou de contact avec des produits chimiques.
- où règne une atmosphère explosible.

Le lieu d'installation correct:

- possède un support stable et plan.
- offre, pour le mode de fonctionnement combiné «Aspiration/Distribution», suffisamment de place pour l'installation du deuxième flacon et du commutateur au pied.
- est suffisamment aéré

3.3 Raccordement au réseau électrique

Contrôle de la tension d'alimentation

Contrôler la tension d'alimentation existant sur place. Elle doit correspondre au voltage réglé sur l'appareil. L'indication de la tension d'alimentation se trouve au dos du VacuSafe.



Attention: Un réglage erroné de la tension d'alimentation peut entraîner une destruction de composants électriques du VacuSafe.

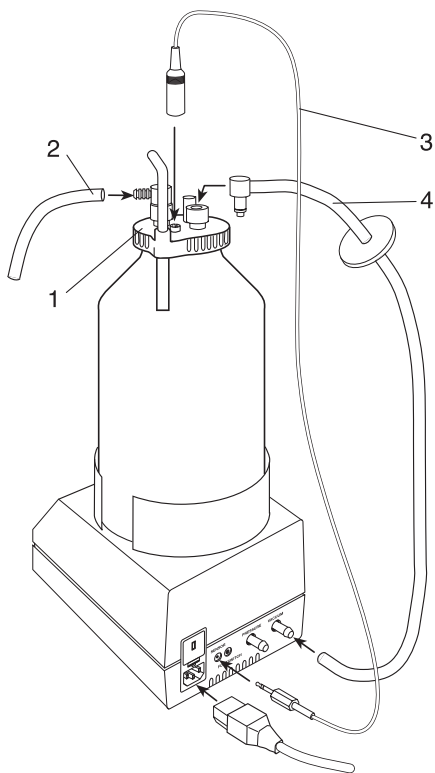
Branchement au réseau électrique

Raccorder le VacuSafe au réseau à l'aide du câble d'alimentation joint à la livraison.

3.4 Raccordement du commutateur au pied

Le commutateur au pied permet, dans le mode de fonctionnement combiné, de passer du mode «Aspiration» au mode «Distribution» et inversement. Il est joint à la livraison en option. On insère le connecteur mâle du commutateur dans la prise portant la dénomination FOOTSWITCH et se trouvant au dos du VacuSafe.

4. Aspiration



Danger: On ne doit pas aspirer:

- des substances explosives
- des substances agressives attaquant le tuyau en silicone
- des substances dont la température est supérieure à 80°C

1. Préparer le flacon à vide.

Démarche:

- Arrêter la pompe avec l'interrupteur d'alimentation.
- Veiller à ce qu'aucun tuyau de siphon ne soit installé sur le couvercle.

2. Régler l'appareil sur le mode «Aspiration» (VACUUM).

Démarche:

- Mettre la pompe en marche avec l'interrupteur d'alimentation.
- Appuyer sur la touche MODE jusqu'à ce que la LED VACUUM s'allume.



Conseil: Lors de l'aspiration au moyen d'un tuyau de siphon, des bulles d'air montent à travers le produit pendant le processus d'aspiration.

- Placer le couvercle (1) sur le flacon à vide. Veiller à ce que le couvercle soit bien fixé.



Conseil: Toujours visser fermement le couvercle! Sinon, il ne peut s'établir aucun vide à l'intérieur du flacon.

- Relier le couvercle (1) à la pompe (orifice VACUUM) au moyen du tuyau (4) se trouvant du côté pompe (bleu, avec filtre).
- Veiller à ce que:
 - Le raccord de tuyau bleu soit logé dans la douille bleue,
 - et que le raccord rapide soit correctement encliqueté («Clic»).



Conseil: Toujours utiliser du côté pompe (bleu) le filtre stérile incorporé! Il empêche au liquide de pénétrer dans la pompe et de la détériorer.

- Du côté produit, enfoncer l'extrémité du tuyau poignée VACUBOY ou de tout autre tuyau (2)

sur l'orifice de raccordement se trouvant au raccord rapide rouge.

- Relier le couvercle (1) à la pompe (prise SENSOR) au moyen du câble de capteur (3).

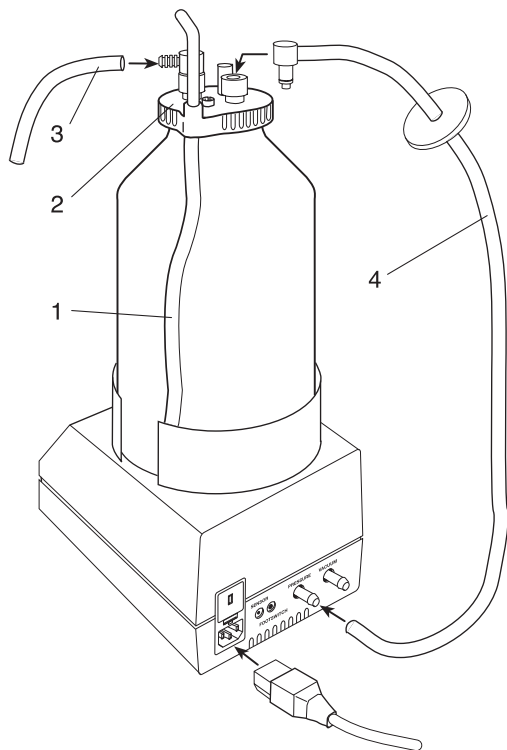
3. Aspiration

- Vérifier que la vis d'évacuation d'air soit fermée.
- Mettre la pompe en marche avec l'interrupteur d'alimentation.
- Régler, si nécessaire, les valeurs du vide et de l'hystérésis.
- La pompe commence à fonctionner.
- Lorsque le flacon est plein, le dispositif de protection contre les remplissages excessifs se déclenche et la LED rouge SENSOR se met à clignoter et une alarme sonore retentit. La pompe s'arrête. On ne peut continuer à travailler qu'après avoir vidé le flacon.



Conseil: Pour une fonction correcte de la garantie de surcharge, et pour éviter la formation de mousse, nous recommandons d'utiliser un produit antimousse du commerce (par exemple Antifoam A de Fluka ou Sigma).

5. Distribution



Danger: On ne doit pas distribuer:

- des substances explosives
- des substances agressives attaquant le tuyau en silicone
- des substances dont la température est supérieure à 80°C

1. Préparer le flacon à pression.

Démarche:

- Arrêter la pompe avec l'interrupteur d'alimentation.
- Veiller à ce que le tuyau de siphon (1) soit installé.
- Placer le couvercle (2) sur le flacon en mode pression.

2. Régler l'appareil sur le mode «Distribution» (PRESSION).

Démarche:

- Mettre la pompe en marche avec l'interrupteur d'alimentation.
- Appuyer sur la touche MODE jusqu'à ce que la LED PRESSURE s'allume.

Veiller à ce que le couvercle soit bien vissé.



Conseil: Toujours visser fermement le couvercle!
Sinon, il ne peut s'établir aucune pression à l'intérieur du flacon.

- Relier le couvercle (2) à la pompe (orifice PRESSURE) au moyen du tuyau (4) se trouvant du côté pompe (bleu, avec filtre).
- Veiller à ce que:
 - Le raccord de tuyau bleu soit logé dans la douille bleue,
 - et que le raccord rapide soit correctement encliqueté («Clic»).



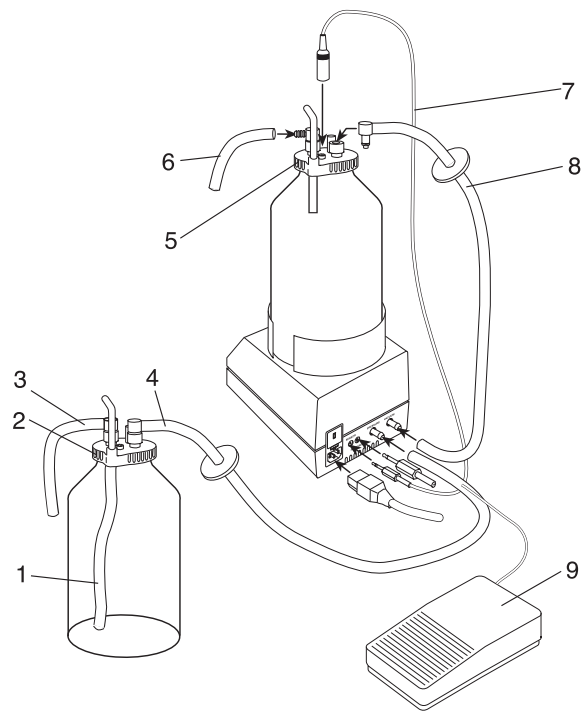
Conseil: Toujours utiliser du côté pompe (bleu) le filtre stérile incorporé! Il empêche au liquide de pénétrer dans la pompe et de la détériorer.

- Du côté produit, enfoncer l'extrémité du tuyau poignée VACUBOY ou de tout autre tuyau (3) sur l'orifice de raccordement se trouvant au raccord rapide rouge.

3. Distribution

- Vérifier que la vis d'évacuation d'air est fermée.
- Mettre la pompe en marche avec l'interrupteur d'alimentation.
- Régler, si nécessaire, les valeurs de la pression et de l'hystérésis.
- La pompe commence à fonctionner.

6. Aspiration et distribution combinées



Pour le mode de fonctionnement combiné «Aspiration» et «Distribution», il faut utiliser un flacon à pression et un flacon à vide.



Danger: On ne doit ni aspirer ni distribuer:

- des substances explosives
- des substances agressives attaquant le tuyau en silicone
- des substances dont la température est supérieure à 80°C

1. Préparer le flacon à pression.

Démarche:

- Arrêter la pompe avec l'interrupteur d'alimentation.
- Veiller à ce que le tuyau de siphon (1) soit installé.
- Placer le couvercle (2) sur le flacon à pression. Veiller à ce que le couvercle soit bien vissé.



Conseil: Toujours visser fermement le couvercle!
Sinon, il ne peut s'établir aucune pression à l'intérieur du flacon.

- Relier le couvercle (2) à la pompe (orifice PRESSURE) au moyen du tuyau (4) se trouvant du côté pompe (bleu, avec filtre).
- Veiller à ce que:
 - Le raccord de tuyau bleu soit logé dans la douille bleue,
 - et que le raccord rapide soit correctement encliqueté («Clic»).



Conseil: Toujours utiliser du côté pompe (bleu) le filtre stérile incorporé! Il empêche au liquide de pénétrer dans la pompe et de la détériorer.

- Du côté produit, enfoncer l'extrémité du tuyau poignée VACUBOY ou de tout autre tuyau (3) sur l'orifice de raccordement se trouvant au raccord rapide rouge.

2. Préparer le flacon à vide.

- Veiller à ce qu'aucun tuyau de siphon ne soit installé sur le couvercle.



Conseil: Lors de l'aspiration au moyen d'un tuyau de siphon, des bulles d'air montent à travers le produit pendant le processus d'aspiration.

- Placer le couvercle (5) sur le flacon à vide. Veiller à ce que le couvercle soit bien fixé.



Conseil: Toujours visser fermement le couvercle!
Sinon, il ne peut s'établir aucun vide à l'intérieur du flacon.

- Relier le couvercle (5) à la pompe (orifice VACUUM) au moyen du tuyau (8) se trouvant du côté pompe (bleu, avec filtre).
- Veiller à ce que:
 - Le raccord de tuyau bleu soit logé dans la douille bleue,
 - et que le raccord rapide soit correctement encliqueté («Clic»).



Conseil: Toujours utiliser du côté pompe (bleu) le filtre stérile incorporé! Il empêche au liquide de pénétrer dans la pompe et de la détériorer.

- Du côté produit, enfoncer l'extrémité du tuyau poignée VACUBOY ou de tout autre tuyau (6) sur l'orifice de raccordement se trouvant au raccord rapide rouge.
- Relier le couvercle (5) à la pompe (prise SENSOR) au moyen du câble de capteur (7).

3. «Aspiration» et «Distribution».

Démarche:

- Connecter le commutateur au pied (9) à la prise FOOTSWITCH de la pompe.
- Vérifier que les vis d'évacuation d'air des deux flacons soient fermées.
- Mettre la pompe en marche avec l'interrupteur d'alimentation.
- Régler, si nécessaire, les valeurs du vide et de la pression.
- La pompe commence à fonctionner.

- Pour passer de «distribution» à «aspiration» et inversement, appuyer sur le commutateur au pied ou sur la touche MODE.
- Lorsque le flacon à vide est plein, le dispositif de protection contre les remplissages excessifs se déclenche et la LED rouge SENSOR se met à clignoter. On ne peut continuer à travailler qu'après avoir vidé le flacon.



Conseil: Pour une fonction correcte de la garantie de surcharge, et pour éviter la formation de mousse, nous recommandons d'utiliser un produit antimousse du commerce (par exemple Antifoam A de Fluka ou Sigma).

7. Réglage de la pression, du vide et de l'hystérésis



Conseil: Les valeurs que vous réglerez sur le Vacu-Safe sont des valeurs relatives se référant à la pression atmosphérique extérieure. Les valeurs négatives (munies d'un signe moins) indiquent un vide.

L'hystérésis est la différence de pression existant entre le point d'enclenchement et le point de coupure de la pompe lorsqu'il s'établit une pression ou un vide à l'intérieur du flacon.

Exemple: on a réglé l'appareil sur une pression de 200 mbar et une hystérésis de 80 mbar.

La pompe se met à fonctionner jusqu'à ce que la pression atteigne 200 mbar, et s'arrête alors. Durant le processus de distribution, la pression régnant dans le flacon diminue continuellement. La pompe se remettra en marche lorsque la pression sera tombée à 120 mbar, et fera remonter la pression à l'intérieur du flacon à la valeur réglée de 200 mbar.

On peut constamment changer la valeur réglée pour la pression, le vide ou l'hystérésis

Réglage du vide et de l'hystérésis

- Mettre la pompe en marche avec l'interrupteur d'alimentation. Le vide momentané régnant dans le flacon s'affiche.



- Appuyer sur la touche MODE jusqu'à ce que la LED VACUUM s'allume.



- Appuyer sur la touche SELECT. La LED « ΔP » s'allume et la valeur actuelle de l'hystérésis s'affiche.

- Régler la valeur désirée pour l'hystérésis en utilisant les deux touches ▲ et ▼.



- Appuyer sur la touche SELECT. La LED « P » s'allume et la valeur actuelle du vide s'affiche.

- Régler la valeur désirée pour le vide en utilisant les deux touches ▲ et ▼.

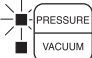
- Exemple : P = -600 ΔP = -200

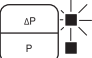


- Appuyer sur la touche SELECT. Les LEDs s'éteignent et le VacuSafe est prêt à fonctionner. La valeur actuelle du vide régnant dans le flacon s'affiche.

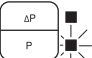
Réglage de la pression et de l'hystérésis

- Mettre la pompe en marche avec l'interrupteur d'alimentation. La pression actuelle régnant dans le flacon s'affiche.

-  Appuyer sur la touche MODE jusqu'à ce que la LED PRESSURE s'allume.


-  Appuyer sur la touche SELECT. La LED «DP» s'allume et la valeur actuelle de l'hystérésis s'affiche.

- Régler la valeur désirée pour l'hystérésis en utilisant les deux touches ▲ et ▼.

-  Appuyer sur la touche SELECT. La LED «P» s'allume et la valeur actuelle de la pression s'affiche.

- Régler la valeur désirée pour la pression en utilisant les deux touches ▲ et ▼.

- Exemple : $P = 200$ $\Delta P = 50$

-  Appuyer sur la touche SELECT. Les LED s'éteignent et le VacuSafe est prêt à fonctionner. La valeur actuelle de la pression régnant dans le flacon s'affiche.

8. Surveillance de niveau

8.1 Fonctionnement et instructions d'emploi

Le flacon est équipé d'une surveillance de niveau qui empêche la pénétration de mousse ou de liquide dans le filtre ou l'appareil pendant l'aspiration. Dès que de la mousse ou du liquide sont détectés, la pompe s'arrête et une alarme optique et sonore est générée.

Le VacuSafe, le câble du capteur et le couvercle du flacon forment une unité et doivent être calibrés les uns par rapport aux autres.



Instructions d'emploi :

- Selon l'importance des souillures présentes sur le couvercle du flacon, il peut être nécessaire de calibrer périodiquement le capteur de niveau.

- Si l'on possède plusieurs couvercles / VacuSafe et que l'on intervertit les couvercles, il peut être éventuellement nécessaire de recalibrer les systèmes. Éviter absolument d'intervertir VacuSafe et le câble du capteur. Il faut refaire sinon un nouveau calibrage.
- Pour que la surveillance de niveau fonctionne correctement et pour éviter la formation de mousse, nous recommandons d'utiliser un produit antimousse du commerce (par ex. Antifoam A de Fluka ou Sigma)

8.2 Activation et calibrage de la surveillance de niveau

Procéder comme suit pour activer et calibrer simultanément la surveillance de niveau :

- Connecter le câble du capteur avec l'appareil de base et le flacon à vide.
- Veiller à ce que le flacon à vide soit vide et que les pointes du capteur dans le couvercle soient sèches !
- Eteindre le VacuSafe avec l'interrupteur d'alimentation.

- Appuyer sur la touche SELECT et remettre en même temps en marche le VacuSafe à l'interrupteur d'alimentation.
- Laisser la touche SELECT appuyée jusqu'à ce que le chiffre supérieur ou égal à 100 (numéro de version du logiciel) s'affiche.
- Relâcher la touche SELECT et attendre 5 secondes. VacuSafe est alors calibré au nouveau câble.
- Si le calibrage a échoué, un son double retentit périodiquement et la LED du capteur s'allume. Vérifier la connexion des câbles, nettoyer et sécher le couvercle et répéter la procédure de calibrage. La surveillance de niveau reste alors allumée jusqu'à la désactivation (cf. chapitre 8.3).

8.3 Désactivation de la surveillance de niveau

Procéder comme suit pour désactiver la surveillance de niveau :

- Eteindre le VacuSafe avec l'interrupteur d'alimentation.
- Appuyer sur les deux touches UP et DOWN et remettre en même temps en marche le VacuSafe à l'interrupteur d'alimentation.
- Laisser les deux touches UP et DOWN appuyées jusqu'à ce que le chiffre supérieur ou égal à 100 (numéro de version du logiciel) s'affiche et s'éteigne à nouveau.
- Relâcher les deux touches UP et DOWN et attendre 5 secondes. La surveillance de niveau est alors désactivée.

Lorsque la surveillance de niveau est désactivée, la LED du capteur et le signal sonore se mettent en marche trois fois à titre d'indication, lors de chaque allumage du VacuSafe. Si l'on veut réactiver la surveillance de niveau, procéder comme au chapitre 8.2.

9. Entretien et nettoyage

9.1 Entretien

L'appareil ne nécessite pas d'entretien ou de maintenance particuliers.

Lorsque le débit d'aspiration ou de distribution de la pompe diminue, il faut remplacer le filtre et le tuyau se trouvant côté pompe.

9.2 Nettoyage



Danger: Avant tout nettoyage retirer le câble d'alimentation!



Attention: Lors de l'assemblage des pièces après le nettoyage, veiller à installer les tuyaux correctement. Si on les confond, la pompe aspirera le produit dans le mode «Aspiration» et sera détruite.



Attention : Les solutions chlorées et d'autres produits chimiques agressifs peuvent compromettre le bon fonctionnement de l'appareil. Pour éviter des dommages à long terme, il ne faut pas laisser de tels produits chimiques dans le système pendant une période prolongée.

Pompe/Câble de capteur:

- Vous pouvez enlever les salissures avec de l'eau savonneuse, de l'eau chaude pure ou de l'alcool à 70%. Utilisez pour cela un chiffon qui ne s'effiloche pas ou bien un pinceau.
- N'utilisez jamais des solutions agressives telles que les diluants pour peintures cellulosiques ou similaires.
- N'enlever jamais des résidus au moyen d'une raclette ou d'un grattoir.
- N'enlever en aucun cas des résidus à la flamme.

Flacon et couvercle:

Vous pouvez nettoyer le flacon et le couvercle complet non muni du câble de capteur conformément aux règles valables pour le nettoyage du verre. Vous pouvez aussi laver le flacon et le couvercle dans le lave-vaisselle.



Attention: Détacher le câble de capteur du couvercle avant de laver le flacon dans un lave-vaisselle! L'opération risque sinon de détruire le câble.

9.3 Autoclavage

On peut autoclaver le flacon et le couvercle complet muni des raccords et des tuyaux jusqu'à 121°C maximum. Il faut auparavant détacher le câble de capteur et déconnecter les raccords de tuyaux.



Attention: Détacher le câble de capteur du couvercle avant l'autoclavage du flacon! Les températures utilisées risquent sinon de détruire le câble.



Conseil:

- Avant tout autoclavage, ouvrir la vis d'évacuation d'air pour qu'il ne se forme pas de surpression lors de l'opération.
- Pour l'opération d'autoclavage, ne visser le couvercle que de façon lâche sur le flacon.

Pour stériliser correctement les liquides et les récipients, consulter le mode d'emploi de l'autoclave disponible.



Attention: Toujours autoclaver le couvercle du flacon monté sur celui-ci car, sinon, il risque de se déformer.



Attention: Toujours déconnecter les raccords de tuyaux avant l'autoclavage car, sinon, les raccords risquent d'être détruits.



Attention: Le filtre peut être autoclavé pour une stérilisation, mais ne doit pas être réutilisé.

10. Élimination des dérangement/Remarques techniques

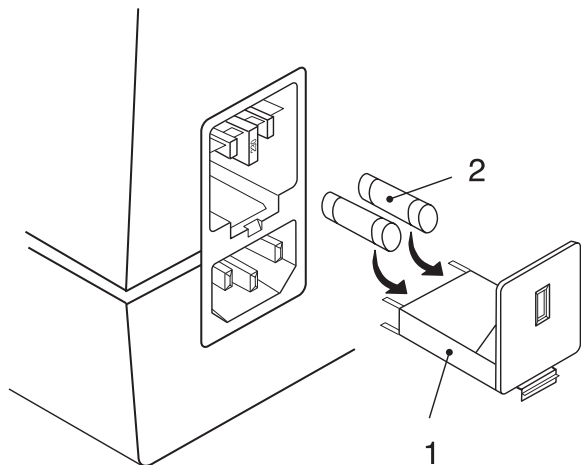
10.1 Élimination des dérangements

Dérangement	Cause	Remède
La pompe ne démarre pas en mode «Aspiration», la LED rouge SENSOR clignote.	<ul style="list-style-type: none">• Le câble de capteur n'est pas en place.• Les électrodes à l'intérieur du flacon sont déformées et font contact. • Le liquide ou la mousse ont atteint le niveau maximal dans le flacon.• La surveillance de niveau n'est pas calibrée.	<ul style="list-style-type: none">• Raccorder le câble de capteur.• Détordre et séparer les électrodes avec précaution.• Nettoyer le couvercle et les électrodes.• Vider le flacon. • Calibrer la surveillance de niveau.
En mode «Distribution» le VacuSafe ne délivre pas de produit.	<ul style="list-style-type: none">• Le tuyau de siphon n'est pas installé.	<ul style="list-style-type: none">• Monter le tuyau de siphon.
La pompe n'arrête plus de fonctionner et le VacuSafe ne maintient aucun vide ou aucune pression.	<ul style="list-style-type: none">• La vis d'évacuation d'air est ouverte.• Le raccord rapide d'un tuyau n'est pas correctement en place.• Le tuyau n'est pas logé dans l'orifice correct de la pompe.	<ul style="list-style-type: none">• Fermer la vis d'évacuation d'air.• Enfoncer le raccord rapide jusqu'à ce qu'il s'encliquette.• Enfoncer le tuyau dans l'orifice correct.

10.1 Élimination des dérangements (Continuation)

Dérangement	Cause	Remède
Le VacuSafe n'aspire pas suffisamment.	<ul style="list-style-type: none">• Le filtre est bouché.	<ul style="list-style-type: none">• Mettre en place un filtre neuf.
Le VacuSafe ne fonctionne pas.	<ul style="list-style-type: none">• Fusible fondu ou réglage erroné de la tension d'alimentation.	<ul style="list-style-type: none">• Remplacer le fusible, contrôler le commutateur sélecteur de tension.
La surveillance de niveau ne fonctionne pas.	<ul style="list-style-type: none">• La surveillance de niveau est désactivée.	<ul style="list-style-type: none">• Activer la surveillance de niveau.
La pompe ne marche pas. Pas de vide. L'affichage marche.	<ul style="list-style-type: none">• Le moteur de la pompe est surchauffé en raison d'une marche continue et d'une température ambiante élevée.	<ul style="list-style-type: none">• Éviter toute perte inutile de vide et de faire marcher en continu la pompe, en utilisant la poignée de travail VACUBOY ou une pince presse-tube (pendant les pauses de travail)

10.2 Changement de fusible



Le boîtier à fusibles se trouve au dos du VacuSafe.



Danger: Avant tout changement de fusible retirer le câble d'alimentation!

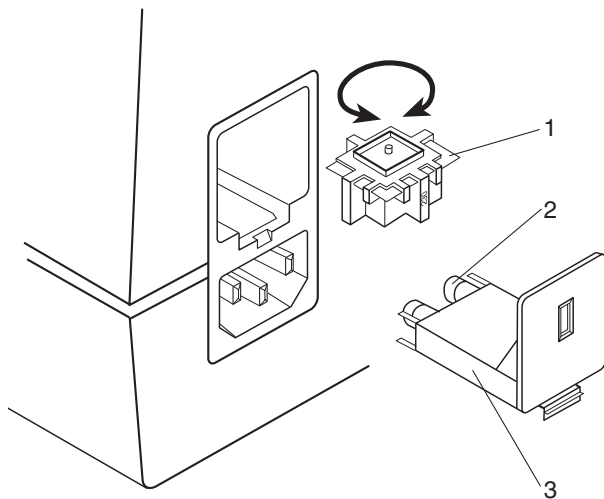


Conseil: Valeurs des fusibles cf. Caractéristiques techniques.

Démarche:

- Retirer le câble d'alimentation.
- Sortir le boîtier à fusibles (1) en utilisant un tournevis ou un outil similaire approprié.
- Remplacer les deux fusibles usagés (2) par deux fusibles neufs. N'utiliser que des fusibles ayant les valeurs indiquées ci-dessus.
- Enfoncer à nouveau le boîtier muni des deux fusibles dans son logement.

10.3 Réglage de la tension d'alimentation



Le VacuSafe a été réglé à l'usine sur la tension d'alimentation spécifique à votre pays.

Changez la tension d'alimentation réglée si c'est nécessaire. L'élément de réglage de la tension est accessible dès qu'on a sorti le boîtier à fusibles au dos du VacuSafe.



Danger: Avant tout changement de fusible retirer le câble d'alimentation!



Danger: N'utiliser que des fusibles qui sont spécifiés pour la tension d'alimentation en question!



Conseil: Valeurs des fusibles cf. Caractéristiques techniques.

Démarche:

- Retirer le câble d'alimentation.
- Sortir le boîtier à fusibles (3) en utilisant un tournevis ou un outil similaire approprié.
- Sortir l'élément de réglage de la tension (1).

-
- Faire pivoter l'élément de réglage de la tension de telle façon que vous puissiez voir le marquage correspondant à la tension souhaitée (115 V ou 230 V).
 - Insérer de nouveau l'élément dans son logement.
 - Remplacer les fusibles (2) par deux autres fusibles dont les valeurs conviennent à la nouvelle tension ajustée.
 - Enfoncer à nouveau le boîtier muni des deux fusibles dans son logement.
 - Vérifier que la tension correcte apparaît à travers l'ouverture aménagée dans le boîtier à fusibles.

10.4 Étalonnage de la pompe pour un autre câble de capteur

Le VacuSafe est étalonné pour le câble de capteur joint à la fourniture. Si vous utilisez un câble de rechange, il faut étalonner VacuSafe pour ce nouveau câble (voir chapitre 8).

10.5 Affichage du numéro actuel de version du logiciel

Le numéro actuel de version du logiciel s'affiche pendant l'activation et le calibrage de la surveillance de niveau. Cf. chapitre 8.2.

11. Caractéristiques techniques

Type d'appareil:	Unité à vide et à pression commandée par microprocesseur permettant «l'aspiration» et «la distribution» contrôlées et aseptiques de liquides au moyen d'un vide ou d'une pression et d'une hystérésis réglables à l'avance.
Vide:	Réglable par affichage numérique de -200... -700 mbar relatifs, soit 800... 300 mbar absolu. Hystérésis: 60... 400 mbar
Druck:	Réglable par affichage numérique de 50... 200 mbar relatifs, soit 1050... 1200 mbar absolu. Hystérésis: 30... 180 mbar
Débit de la pompe:	13 litres d'air/min à la pression atmosphérique
Tuyaux:	Ø intérieur 5 mm, Ø extérieur 10 mm, caoutchouc silicone de 50 Shore A, transparent
Filtre:	Ø 60 mm, 0.45 µm, hydrophobe, boîtier en polypropylène, non stérile
Alimentation électrique:	115 V (100 - 120 VAC) ou 230 V (220 - 240 VAC), sélectionnable, 50/60 Hz
Puissance consommée:	65 W
Fusible:	220 - 240 V = 1.25 A, à action retardée, 100 - 120 V = 2.5 A, à action retardée
Entrées:	Prise pour le raccordement d'un commutateur au pied
Dimensions sans flacon:	231 mm x 170 mm x 196 mm ((L x l x h)
Poids sans flacon:	3.5 kg (net)
Niveau sonore:	< 70 dB(A)
Plage de température Service:	+ 5°C à + 40°C / max. 80% RH
Plage de température Stockage:	- 10°C à + 50°C / max. 95% RH
Protection:	IP 21

12. Accessoires

Commutateur au pied complet	143 200
Set de flacon comprenant :	158 050
Flacon de sécurité (3 litres), couvercle de flacon, complet avec poignée, joint, vis d'évacuation d'air et raccord de tuyau, tuyau en silicone 1.8 m	
Flacon sans couvercle	155 540
Couvercle de flacon, complet, avec poignée, joint, vis d'évacuation d'air et raccord de tuyau	158 026
Filtre non stérile, Ø 60 mm, 0,45 µm	158 015
Set de 5 filtres non stériles, Ø 60 mm, 0,45 µm	155 523
Filtre stérile, Ø 60 mm, 0,45 µm	158 016
Raccord de tuyau 1/4", bleu, droit	158 207
Raccord de tuyau 1/4", rouge, droit	158 208
Raccord de tuyau, bleu, 90°	158 209
Raccord de tuyau, rouge, 90°	158 210
Tuyau de décharge du flacon à pression, 240 mm	158 220
Tuyau en silicone 1.8 m	155 506
Unité de tuyaux de l'appareil à flacon	158 021

13. Liste fabricant et services après-vente

Fabricant:

INTEGRA Biosciences AG
CH-7000 Chur
Switzerland
www.integra-biosciences.com
info@integra-biosciences.com

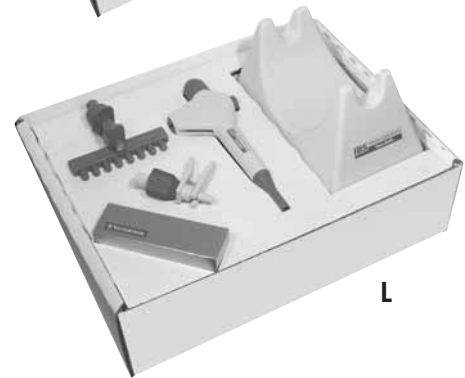
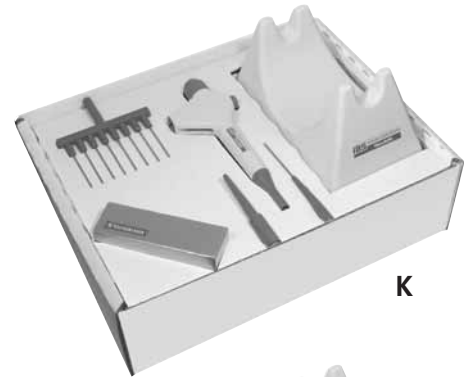
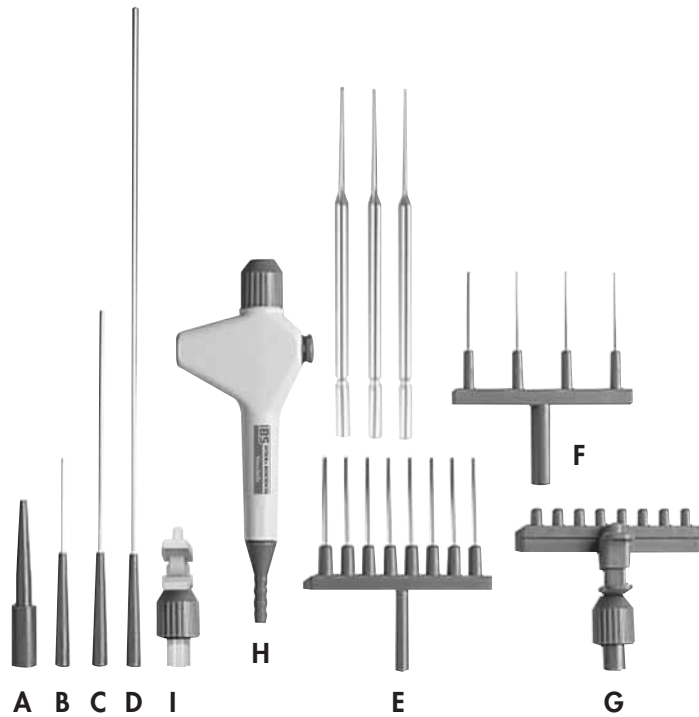
Service après-vente (SAV):

Veuillez contacter votre distributeur local INTEGRA Biosciences. Pour les coordonnées de votre distributeur le plus proche, visitez notre page Internet www.integra-biosciences.com

14. Accessoires pour la poignée de travail VACUBOY

Description:

A	Adaptateur monocanal en plastique, pour pointes à usage unique	155 504
B	Adaptateur monocanal en inox, longueur 40 mm	155 502
C	Adaptateur monocanal en inox, longueur 150 mm	155 522
D	Adaptateur monocanal en inox, longueur 280 mm	155 525
E	Adaptateur 8 canaux en inox, longueur 40 mm	155 503
F	Adaptateur 4 canaux en inox, longueur 40 mm	155 524
G	Adaptateur 8 canaux en plastique pour pointes à usage unique avec éjecteur	155 520
H	Poignée de travail VACUBOY, sans adaptateur et sans accessoires, y compris lubrifiant au silicone et adaptateur en caoutchouc pour pipettes Pasteur	155 510
I	Adaptateur monocanal en plastique pour pointes à usage unique avec éjecteur	155 526
K	Poignée de travail VACUBOY 1: poignée de travail (H), adaptateurs A, B, E, adaptateur en caoutchouc pour pipettes Pasteur, support de sécurité, couteau suisse, tuyau en silicone 1,8m	155 500
L	Poignée de travail VACUBOY 2: poignée de travail (H), adaptateurs G, I, adaptateur en caoutchouc pour pipettes Pasteur support de sécurité, couteau suisse, tuyau en silicone 1,8m	155 515
	Support de sécurité VACUBOY	155 501
	Support de poignée de travail pour montage au mur	151 005
	Adaptateur en caoutchouc pour pipettes Pasteur	155 505





Fisher Scientific

Part of Thermo Fisher Scientific

IBS INTEGRA
BIOSCIENCES

INTEGRA Biosciences AG
CH-7000 Chur, Switzerland
www.integra-biosciences.com
info@integra-biosciences.com

Belgique / België

tél 056 260 260

fax 056 260 270

be.fisher@thermofisher.com

www.be.fishersci.com

España

tfno 91 515 92 34

fax 91 515 92 35

es.fisher@thermofisher.com

www.es.fishersci.com

France

tél 03 88 67 53 20

fax 03 88 67 11 68

fr.commande@thermofisher.com

www.fr.fishersci.com

Italia

tel 02 953 28 258

fax 02 953 27 374

it.fisher@thermofisher.com

www.it.fishersci.com

Netherlands

tel 020 487 70 00

fax 020 487 70 70

nl.info@thermofisher.com

www.nl.fishersci.com

Portugal

tel 21 425 33 50

fax 21 425 33 51

pt.fisher@thermofisher.com

www.pt.fishersci.com

Suisse / Switzerland

tél 056 618 41 11

fax 056 618 41 41

info.ch@thermofisher.com

www.ch.fishersci.com