

HistoCore BIO CUT

Rotary Microtome

Instructions for Use

English

Order No.: 14 0517 80101 - Revision K

Always keep this manual with the instrument.

Read carefully before working with the instrument.

CE



The information, numerical data, notes and value judgments contained in this manual represent the current state of scientific knowledge and state-of-the-art technology as we understand it following thorough investigation in this field.

We are under no obligation to update the present manual periodically and on an ongoing basis according to the latest technical developments, nor to provide our customers with additional copies, updates etc. of this manual.

To the extent permitted in accordance with the national legal system as applicable in each individual case, we shall not be held liable for erroneous statements, drawings, technical illustrations etc. contained in this manual. In particular, no liability whatsoever is accepted for any financial loss or consequential damage caused by or related to compliance with statements or other information in this manual.

Statements, drawings, illustrations and other information regarding the contents or technical details of the present Instructions for Use are not to be considered warranted characteristics of our products.

These are determined only by the contract provisions agreed between ourselves and our customers. Leica reserves the right to change technical specifications as well as manufacturing processes without prior notice. Only in this way is it possible to continuously improve the technology and manufacturing techniques used in our products.

This document is protected under copyright laws. All copyrights to this documentation are held by Leica Biosystems Nussloch GmbH.

Any reproduction of text and illustrations (or of any parts thereof) by means of print, photocopy, microfiche, web cam or other methods – including any electronic systems and media – requires express prior permission in writing by Leica Biosystems Nussloch GmbH.

For the instrument serial number and year of manufacture, please refer to the nameplate on the back of the instrument.



Leica Biosystems Nussloch GmbH
Heidelberger Strasse 17 - 19
D-69226 Nussloch
Germany

Tel.: +49 - (0) 6224 - 143 0
Fax: +49 - (0) 6224 - 143 268
Web: www.LeicaBiosystems.com

Assembly contracted to Leica Microsystems Ltd. Shanghai

Table of Contents

1. Important Information	7
1.1 Symbols used in the text and their meanings.....	7
1.2 Instrument type	9
1.3 Intended purpose.....	9
1.4 Qualification of personnel.....	9
2. Safety	10
2.1 Safety notes.....	10
2.2 Warnings.....	10
2.2.1 Markings on the instrument itself	11
2.2.2 Transport and installation	11
2.2.3 Operating the instrument.....	12
2.2.4 Cleaning and maintenance	18
2.3 Integrated protective devices	19
2.3.1 Locking the handwheel.....	19
2.3.2 Safety guard on the knife/blade holder.....	20
3. Instrument Components and Specifications.....	21
3.1 Overview — instrument components	21
3.2 Instrument specifications.....	22
3.3 Technical Data	22
4. Setting up the instrument	25
4.1 Installation site requirements.....	25
4.2 Standard delivery - packing list.....	25
4.3 Unpacking and installation.....	26
4.4 Assembling the handwheel.....	29
5. Operation	31
5.1 Operating elements and their functions	31
5.1.1 Section thickness setting	31
5.1.2 Coarse feed wheel.....	31
5.1.3 Specimen retraction.....	32
5.1.4 Mechanical trimming function	32
5.1.5 Fine directional specimen holder fixture	33
5.1.6 Fine adjustment of the force balance.....	34
5.2 Inserting the two-in-one blade holder E.....	36
5.2.1 Setting up the blade holder base	36
5.2.2 Inserting the two-in-one blade holder E.....	36
5.3 Adjusting the clearance angle	37
5.4 Inserting the universal cassette clamp.....	37
5.5 Clamping the specimen	38

5.6	Clamping the knife/disposable blade	39
5.7	Trimming the specimen	42
5.8	Sectioning	43
5.9	Changing the specimen or interrupting sectioning	45
5.10	Finishing the daily routine	45
6.	Optional Accessories.....	48
6.1	Assembly for fixture for specimen clamps.....	48
6.1.1	Rigid fixture for specimen clamps	48
6.1.2	Directional fixture for specimen clamps.....	49
6.1.3	Fine-directional fixture for specimen clamps	49
6.1.4	Quick clamping system.....	50
6.2	Specimen clamps and holders	50
6.2.1	Standard specimen clamp	51
6.2.2	Universal cassette clamp.....	51
6.2.3	Super cassette clamp	53
6.3	Knife holder base and knife holder	54
6.3.1	Two-in-one blade holder E.....	54
6.3.2	Knife holder base, without lateral displacement feature	56
6.3.3	Knife holder E with a water trough for low-profile blades	56
6.3.4	Knife holder N.....	57
6.4	Section waste tray.....	59
6.5	Backlighting.....	59
6.6	Top tray.....	60
6.7	Universal microscope carrier.....	60
6.8	Magnifying lens, LED illumination.....	63
6.9	Additional accessories	65
6.10	Ordering information	73
7.	Troubleshooting	75
7.1	Possible faults	75
7.2	Instrument malfunctions.....	77
7.3	Malfunctions of the two-in-one blade holder E.....	78
7.3.1	Replacing the pressure plate.....	78
7.3.2	Mounting the clamping top onto the segment arc.....	79
7.4	The setting of the clamping system of the clamp mount on the base plate	79
8.	Cleaning and Maintenance.....	80
8.1	Cleaning the instrument.....	80
8.2	Maintenance instructions	83
8.3	Lubricating the instrument.....	84

Table of Contents

- 9. Warranty and Service 86**
 - 9.1 Warranty 86
 - 9.2 Service information 86
 - 9.3 Decommissioning and disposal..... 86

- 10. Decontamination Confirmation 87**

1. Important Information

1.1 Symbols used in the text and their meanings



Danger:

Indicates an imminently hazardous situation which, if not avoided, will result in death or serious injury.



Warning:

If this danger is not avoided, then this may result in death or serious injury.



Caution:

Indicates a potentially hazardous situation which, if not avoided, could result in death or serious injury.



Note:

Indicates a situation with the potential for property damage which, if not avoided, could result in damage to the machine or something in its vicinity.



Tip:

Gives you tips to simplify your workflow.



→ "Fig. 7 - 1"

Item numbers for numbering illustrations.

Numbers in red refer to item numbers in illustrations.



Manufacturer



Order number



Serial number



Date of manufacture



Observe the Instructions for Use.



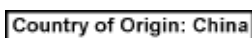
Caution, consult the instructions for use for cautionary information.



In vitro diagnostics (IVD) medical device



The CE marking is the manufacturer's declaration that the medical product meets the requirements of the applicable EC directives and regulations.



The Country of Origin box defines the Country where the final character transformation of the product has been performed.



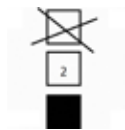
The UKCA (UK Conformity Assessed) marking is a new UK product marking that is used for goods being placed on the market in Great Britain (England, Wales and Scotland). It covers most goods which previously required the CE marking.



The package contents are fragile and must be handled with care.



The package must be kept in a dry environment.

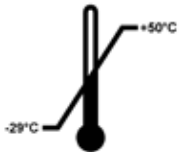


Maximum of 3 stacked layers



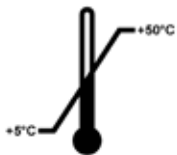
Indicates the correct upright position of the package.

Transport temperature range:



Indicates the temperature range permitted for transporting the package.
Minimum -29 °C
Maximum +50 °C

Storage temperature range:



Indicates the temperature range permitted for storing the package.
Minimum +5 °C
Maximum +50 °C



Indicates the humidity range permitted for storing and transporting the package.
minimum 10 % r.H.
maximum 85 % r.H



In the Shockwatch system, the shock dot shows impacts or shocks that are above a specified intensity through red colouration. Exceeding a defined acceleration (g value) causes the indicator tube to change colour.



Indicates the item can be recycled where correct facilities exist.

1.2 Instrument type

All information provided in these Instructions for Use applies only to the instrument type indicated on the title page. A nameplate indicating the instrument serial number is attached at the back side of the instrument.

1.3 Intended purpose

The HistoCore BIOCUT is a manually operated rotary microtome specifically designed for creating thin sections of formalin fixed, paraffin embedded human tissue specimens of varying hardness used for histological medical diagnosis by a pathologist, e.g. for cancer diagnosis. It is intended for sectioning soft and hard human specimens, as long as they are suitable for being cut manually. The HistoCore BIOCUT is designed for in vitro diagnostic applications.



Warning

Any use other than the intended use.

Serious injury of persons and/or damage to specimen.

- Follow the intended use described in the Instructions for Use. Any other use of the instrument will be considered as improper use.

1.4 Qualification of personnel

- The HistoCore BIOCUT must be operated by trained laboratory personnel only. The instrument is intended for professional use only.
- All laboratory personnel designated to operate this instrument must read these Instructions for Use carefully and must be familiar with all technical features of the instrument before attempting to operate it.

2. Safety

2.1 Safety notes

The Instructions for Use include important information related to the operating safety and maintenance of the instrument.

The Instructions for Use are an important part of the product, and must be read carefully prior to startup and use and must always be kept near the instrument.

This instrument has been built and tested in accordance with the Safety requirements for laboratory instruments.

To maintain this condition and ensure safe operation, the user must observe all notes and warnings contained in the Instructions for Use.

The safety and caution notes in this chapter must be observed at all times.

Be sure to read these notes even if you are already familiar with the operation and use of other Leica Biosystems products.

The Instructions for Use must be appropriately supplemented as required by the existing regulations on accident prevention and environmental safety in the operator's country.



Warning

Protective devices or safety accessories provided by manufacturer have been removed or modified.

Serious injury of persons and/or property damage including specimen damage.

- Never remove or modify any protective devices of the instrument or any accessories. Only service personnel qualified by Leica Biosystems may repair the instrument and access the instrument's internal components.
- Before working with the instrument always assure that all protective devices and safety accessories are in place and fulfill their purpose properly.



Tip

For current information about applicable standards, please refer to the CE Declaration of Conformity and UKCA Certificates on our Internet site:

<http://www.LeicaBiosystems.com>

2.2 Warnings

The protective devices installed in this instrument by the manufacturer only constitute the basis for accident prevention. Operating the instrument safely is, above all, the responsibility of the owner, as well as the designated personnel who operate, service or clean the instrument.

To ensure trouble-free operation of the instrument, be sure to comply with the following instructions and warnings.

2.2.1 Markings on the instrument itself



Warning

Failure to follow the correct operating instructions (as defined in the Instructions for Use) of the corresponding markings and warning triangles on the instrument.

Serious injury of persons and/or damage to instrument, accessories or specimen.

- Pay attention to the markings on the instrument and strictly follow operating instructions described in the Instructions for Use when operating or replacing the item marked.

2.2.2 Transport and installation



Warning

Accessories/instrument falling out of the package during unpacking.

Serious injury of persons and/or property damage.

- Be careful when unpacking the instrument.
- Once unpacked, the instrument must be moved only in an upright position.
- Thoroughly follow the instructions given in the Unpacking Instructions attached at the outside of the package or the actions described in the Instructions for Use.



Warning

Instrument is lifted inappropriately.

Serious injury of persons and/or property damage.

- When lifting the instrument touch it only at the lifting points described in the Instructions for Use and Unpacking Instructions (base plate at the front and under the instrument on the back).
- Never lift the instrument by the handwheel grip, coarse feed wheel, object head or the knob for setting the section thickness.
- Always remove the section waste tray before transporting the instrument.



Warning

Careless moving of the instrument.

Serious injury of hands and/or fingers due to getting crushed between instrument and working surface.

- When moving the instrument, touch it only at the lifting points described in the Instructions for Use and Unpacking Instructions (base plate at the front and under the instrument on the back).
- Thoroughly pay attention that hands do not get between instrument and working surface.



Warning

Instrument not positioned safely with all 4 feet on an appropriate laboratory table.

Serious injury of persons and/or property damage.

- Put the instrument only on a stable, vibration free laboratory table with horizontal, flat table top. Ground needs to be vibration-free as far as possible.
- Always make sure that all 4 feet are positioned completely on the laboratory table.
- If the instrument has been potentially moved by other persons (for example for servicing) always double-check correct positioning.

2 Safety



Warning

Knife/blade holder falling off the instrument.

Serious injury of persons and/or property damage.

- If the knife/blade holder is not fixed, for example, during installation or cleaning, pay special attention that the blade holder is not falling off.
- Whenever possible, fix the knife/blade holder to avoid falling off.



Warning

Section waste tray falling down after it has been detached.

Injury of persons.

- Work especially carefully when detaching the section waste tray and put it in a safe place.



Warning

Oil is spilled and not cleaned-up immediately.

Serious injury of persons, for example, by slipping and getting in contact with dangerous parts like the knife/blade of the instrument.

- Always make sure that no oil is spilled.
- If oil has been spilled, clean it up immediately, thoroughly and completely.



Warning

Paraffin waste falls on the floor and is not cleaned-up.

Serious injury of persons, for example, by slipping and stumbling into the knife/blade.

- Always clean up paraffin waste before it spreads, becomes slippery, and becomes a hazard.
- Wear appropriate shoes.



Caution

Accessories/components loosening/damaged during transportation.

Property damage or delayed diagnosis.

- The packaging has the ShockDot Impact Indicator, that indicates improper transport. When the instrument is delivered, check this first. If the indicator is triggered, the package was not handled as prescribed. In this case, please mark the shipping documents accordingly and check the shipment for damage.

2.2.3 Operating the instrument



Danger

Explosive hazard.

Death or Serious injury of persons, and/or property damage.

- Never operate the instrument in rooms with an explosive hazard.

**Warning**

Personnel with insufficient qualification working with the instrument.

Serious injury of persons and/or specimen damage can occur when specimen approaches knife/blade due to inappropriate operator actions, for example, because object head may drop onto knife holder when handwheel is unlocked.

- Always make sure that only laboratory personnel with dedicated and sufficient training and qualification operates the instrument.
- Always make sure that all laboratory personnel designated to operate this instrument has read these Instructions for Use carefully and is familiar with all technical features of the instrument before start working with it.

**Warning**

Protective devices or safety accessories provided by manufacturer have been removed or modified.

Serious injury of persons and/or property damage including specimen damage.

- Never remove or modify any protective devices of the instrument or any accessories. Only service personnel qualified by Leica Biosystems may repair the instrument and access the instrument's internal components.
- Before working with the instrument always assure that all protective devices and safety accessories are in place and fulfill their purpose properly.

**Warning**

Personal protective equipment is not used.

Injury of persons.

- When working with microtomes, personal safety precautions must always be taken. It is mandatory to wear work safety shoes, safety gloves, a mask and safety goggles.

**Warning**

Knives or blades are handled and/or disposed in an inappropriate manner.

Serious injury of persons due to contact with extremely sharp knife/blade.

- Work especially thoroughly and carefully when handling the knife/blade.
- Always wear dedicated clothes (including cut-resistant gloves) when handling knife/blade.
- Dispose knives and blades always in a safe place (for example, dedicated knife case) and an appropriate manner that ensures that people cannot get hurt.
- Never place a knife anywhere with the cutting edge facing upwards and never try to catch a falling knife!
- Always clamp the specimen BEFORE mounting and clamping the knife/blade.

**Warning**

Knife/Blade was not removed when knife/blade holder was uninstalled from the microtome.

Serious injury of persons due to contact with extremely sharp knife/blade.

- Before uninstalling the knife/blade holder from the microtome always make sure to detach the knife/blade wearing cut-resistant gloves and store the knife/blade in a safe place.

2 Safety



Warning

The operator grabs into the knife/blade due to inappropriate working procedure.

Serious injury of persons when putting the specimen in place if knife/blade has been installed before.

- Prior to uploading the specimen on the microtome, make sure that the cutting edge has been covered by the safety guard and the hand wheel locking mechanism has been activated. Once the operator wants to upload the specimen as well as inserting a knife/blade, always upload the specimen block before mounting and clamping the knife/blade.



Warning

The operator installs two knives/blades on the knife/blade holder.

Serious injury of persons due to contact with extremely sharp knives and/or blades.

- Do not clamp two knives/blades on the knife holder/blade holder. Install the knife/blade in the center of the knife/blade holder. Knives/blades must not exceed the edge of the knife/blade holder.



Warning

Too thick or thin blade used in the two-in-one blade holder.

Sample impaired.

- Use a blade with a maximum thickness of less than 0.322mm and a minimum thickness of more than 0.246mm.
- The recommended compatible blade is listed in Optional Accessories ([→ P. 48 – 6. Optional Accessories](#)).



Warning

The blade is not installed completely parallel to the upper edge of the pressure plate due to excess paraffin, uncleaned inserts, etc..

When using the lateral movement function, failure to install the blade parallel to the pressure plate may result in poor sectioning results. For example, if a section is too thick or thin, chattering within the section, in the worst-case scenario, may damage the specimen.

- Do not continue the sectioning when getting unsatisfying section results.
- Re-install the blade and make sure that it is parallel to the upper edge of the pressure plate.
- Always check the parallelism between the blade and pressure plate after moving the blade using the lateral movement function.
- Ensure there is no paraffin waste and the insert is clean before use.



Warning

The knife/blade is installed before the knife/blade holder and the knife/blade holder base are installed on the instrument.

Serious injury of persons due to contact with extremely sharp knives and/or blades.

- Prior to inserting the knife/blade, both the knife/blade holder and the knife/blade holder base must be installed on the microtome.

**Warning**

Knife/blade is not covered with the appropriate guard when not sectioning specimen.

Serious injury of persons.

- Always cover the knife/blade edge with the appropriate guard prior to any manipulation of knife/blade or specimen clamp, prior to changing the specimen and during all work breaks.

**Warning**

Knife/blade stored in inappropriate manner.

Serious injury of persons, for example due to unexpected fall off.

- Always store the knife/blade in an appropriate place when not using it, for example, store it in the dedicated knife case.
- Never place a knife anywhere with the cutting edge facing upwards and never try to catch a falling knife.

**Warning**

Uploading or unloading the specimen on the microtome without appropriate clothes and in an inappropriate manner.

Operator can get cut and injured which can lead to serious consequences.

- Always use cut resistant safety gloves when handling the specimen within the microtome.
- Lock the handwheel and cover the knife edge with the safety guard prior to any manipulation of the specimen clamp and prior to changing the specimen.

**Warning**

Specimen is oriented in retraction phase.

Specimen damage due to re-orienting the specimen in retraction phase.

- Specimen blocks must not be oriented during the retraction phase. If a block is oriented during retraction, the block will advance by the retraction value plus the selected section thickness before the next section. This may cause damage to both specimen and knife/blade.

**Warning**

Working with the instrument and brittle specimen without appropriate protective clothes.

Serious injury of persons by splinters while cutting brittle specimen.

- Always wear appropriate protective clothes (including safety goggles) and work especially carefully when cutting brittle specimen.



Warning

Wrong fine adjustment of the force balance.

Serious injury of the operator due to contact with knife and/or specimen damage.

- Before working with the instrument, always double-check that the fine adjustment of the force balance is properly set.
- If fine adjustment is not properly set, do not work with the instrument but perform a readjustment. For details, refer to chapter "Fine adjustment of the force balance".
- Especially after changing accessories at the object head, perform a fine adjustment of the force balance immediately.



Warning

Insufficient frame conditions for sectioning.

Specimen damage or poor sectioning results, for example, sections alternating in thickness, compressed, folded or stripped sections.

- Do not continue sectioning if you recognize insufficient sections results.
- Make sure that all prerequisites for appropriate sectioning are met. Refer to the troubleshooting section of these Instructions for Use for further details.
- If you do not have sufficient knowledge in regards of troubleshooting insufficient sectioning results consult persons who do have that knowledge, for example, application experts of Leica Biosystems.



Warning

Wheel turn direction of coarse feed incorrectly selected.

Specimen damage.

- Always assure that you have selected the correct turn direction of the coarse feed wheel by checking the setting of the coarse feed wheel direction at the rear side of the instrument.



Warning

Turn the handwheel counterclockwise.

People injury/Damage to specimen.

- Do not turn the handwheel counterclockwise, which may lead to handwheel locking mechanism malfunction.



Warning

The handwheel is unlocked and the object head drops into knife/blade holder.

People injury/Damage to specimen.

- Except sectioning phase, the handwheel must be locked at all times.

**Warning**

In the manual sectioning mode, the user cuts the specimen block by rotating the handwheel at a very high speed.

It may lead to poor sectioning quality and even damage the specimen.

- In the manual sectioning mode, the rotation speed of the handwheel shall be no more than 60 rpm.

**Warning**

The rotation speed of the handwheel does not suit the hardness of the specimen.

Instrument damage and possibly specimen damage.

- The rotation speed of the handwheel must be adapted to suit the hardness of the specimen. For harder specimens, use a slower speed.

**Warning**

The handwheel brake lever is not used properly, and the handwheel cannot be braked.

Serious injury of instrument/persons, or specimen damage.

- The handwheel brake lever must be exactly in the locked position. If the handwheel brake lever is moved beyond this point, it is possible that the handwheel is no longer braked.

**Warning**

Fingers put between the specimen and the knife/blade after the handwheel is released when doing fast manual trimming.

Operator can get cut and injured due to the turning of the handwheel when it is unlocked.

- Do not put fingers between the specimen and the knife/blade during trimming and sectioning.

**Caution**

After the knife/blade holder is laterally displaced, the specimen is not retracted and retrimmed.

Specimen damage.

- Retract the object head and retrim the specimen block each time after laterally displacing the knife/blade holder.

**Caution**

Rotating the handwheel and the coarse feed wheel at the same time.

Specimen damage.

- Do not turn the coarse feed wheel whilst rotating the handwheel.

**Caution**

The feather key is lost when mounting the handwheel.

The instrument cannot be used, and it may cause the delay of diagnosis.

- Before assembling the handwheel, check the feather key and make sure that it is in the handwheel shaft.



Note

Accessories and components experience corrosion due to using corrosive/strongly acidic/alkaline reagent or solvent with the instrument or accessories, such as decalcified solution that contains acid, ammonium hydroxide that contains alkali, etc.

Accessories can malfunction.

- Avoid corrosive/strongly acidic/alkaline reagent or solvent dripping onto the instrument surface or accessories.
- If such reagent or solvent has dripped onto the instrument surface or accessories, wipe off the residue and dry the accessories sufficiently as soon as possible.
- If such reagent or solvent is used frequently, carry out a thorough daily cleaning of the blade holder, the universal cassette clamp (UCC), and other accessories if necessary.

2.2.4 Cleaning and maintenance



Warning

The liquids go into the interior of the instrument.

Serious injury of instrument/persons.

- Ensure that liquids do not enter the interior of the instrument during operation and maintenance.



Warning

Wiping the knife in the wrong direction during cleaning.

Serious injury of persons.

- Always wipe the knife from the back of the knife to the cutting edge.



Warning

During cleaning knife/blade holder, remove the parts from the drying chamber (65 °C).

Scalding hazard.

- Wear heat insulating gloves when removing the parts from the drying chamber (65 °C).



Caution

Use of improper solvents or cleaners, or sharp/hard tools to clean the instrument or accessories.

Potential instrument malfunction or delay of diagnosis.

- Do not use any solvents containing acetone or xylene for cleaning the instrument.
- When using cleaners, please comply with the safety instructions of the manufacturer and the laboratory safety regulations.
- Never use a sharp or hard tool to scrape the instrument surface.
- Never soak the accessories in any cleaning solvent or water.
- Clean steel knives using an alcohol-based solution or acetone.
- For cleaning and removal of paraffin, do not use xylene or cleaning fluids containing alcohol (for example glass cleaner).



Caution

During cleaning, the parts of blade holders are mixed up.

Poor section quality.

- Do not mix up blade holders during cleaning.

2.3 Integrated protective devices



Warning

Protective devices or safety accessories provided by manufacturer have been removed or modified.

Serious injury of persons and/or property damage including specimen damage.

- Never remove or modify any protective devices of the instrument or any accessories. Only service personnel qualified by Leica Biosystems may repair the instrument and access the instrument's internal components.
- Before working with the instrument always assure that all protective devices and safety accessories are in place and fulfill their purpose properly.

2.3.1 Locking the handwheel

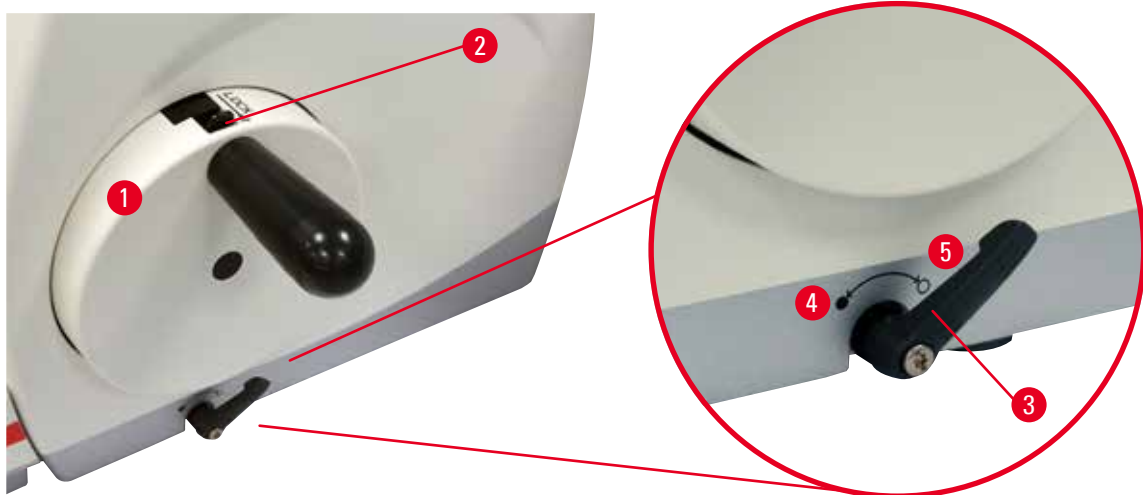


Fig. 1

There are two ways of locking the handwheel (→ "Fig. 1-1"):

- Using the handwheel brake lever (→ "Fig. 1-3") on the right side of the microtome base plate, the handwheel can be braked in any position.
 1. To brake, rotate the handwheel brake lever in a counterclockwise direction to position (→ "Fig. 1-4").



Warning

The handwheel brake lever is not used properly, and the handwheel cannot be braked.

Serious injury of instrument/persons, or specimen damage.

- The handwheel brake lever must be exactly in the locked position. If the handwheel brake lever is moved beyond this point, it is possible that the handwheel is no longer braked.

2 Safety

2. To unlock the handwheel, turn the handwheel brake lever (→ "Fig. 1-3") back to its original position (→ "Fig. 1-5").
- Using the handwheel locking mechanism (→ "Fig. 1-2") on the top of the handwheel, the handwheel can be braked in the 12 o'clock position.
 1. To lock the handwheel, press the handwheel locking mechanism (→ "Fig. 1-2") outwards and continue to turn clockwise the handwheel slowly until it locks exactly in the 12 o'clock position.
 2. To unlock the handwheel, turn the handwheel locking mechanism (→ "Fig. 1-2") inwards.



Tip

When using both brake systems at the same time, always move the handwheel brake lever (→ "Fig. 1-3") to position (→ "Fig. 1-5") first. Otherwise, it may not be possible to release the handwheel locking mechanism (→ "Fig. 1-2").

2.3.2 Safety guard on the knife/blade holder

Each knife holder is equipped with a tightly mounted safety guard (→ "Fig. 2-1") (→ "Fig. 3-1"). This makes it possible to cover completely the cutting edge in every knife or blade position.

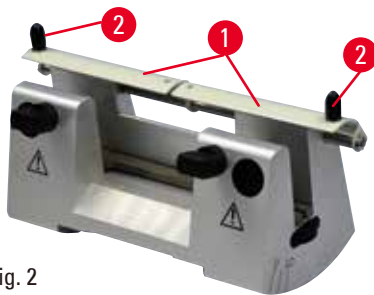


Fig. 2

Knife holder N

The safety guard (→ "Fig. 2-1") of the knife holder N can be easily positioned via two handles (→ "Fig. 2-2"). To cover the knife edge, push both cover strips of the safety guard to the center.

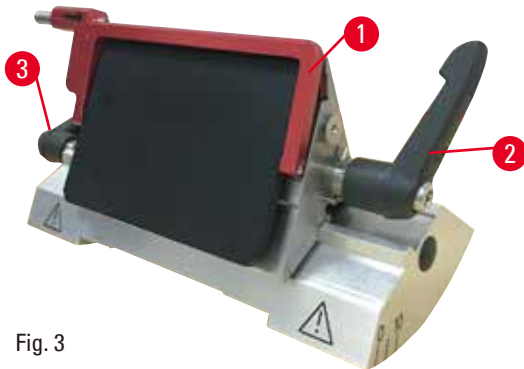


Fig. 3

Two-in-one blade holder E for high and low profile blades

The safety guard on the two-in-one blade holder E consists of a red foldaway handle (→ "Fig. 3-1"). To cover the cutting edge, fold the safety guard handle upwards as illustrated in (→ "Fig. 3").



Tip

The clamping levers on the two-in-one blade holder E are not interchangeable. The two clamping levers (→ "Fig. 3-2") (→ "Fig. 3-3") must remain in the position shown at all times, as otherwise isolated malfunctions of the two-in-one blade holder E can occur. The clamping lever for the blade (→ "Fig. 3-2") is at the right side, the clamping lever for the lateral displacement (→ "Fig. 3-3") is at left side.

3. Instrument Components and Specifications

3.1 Overview — instrument components

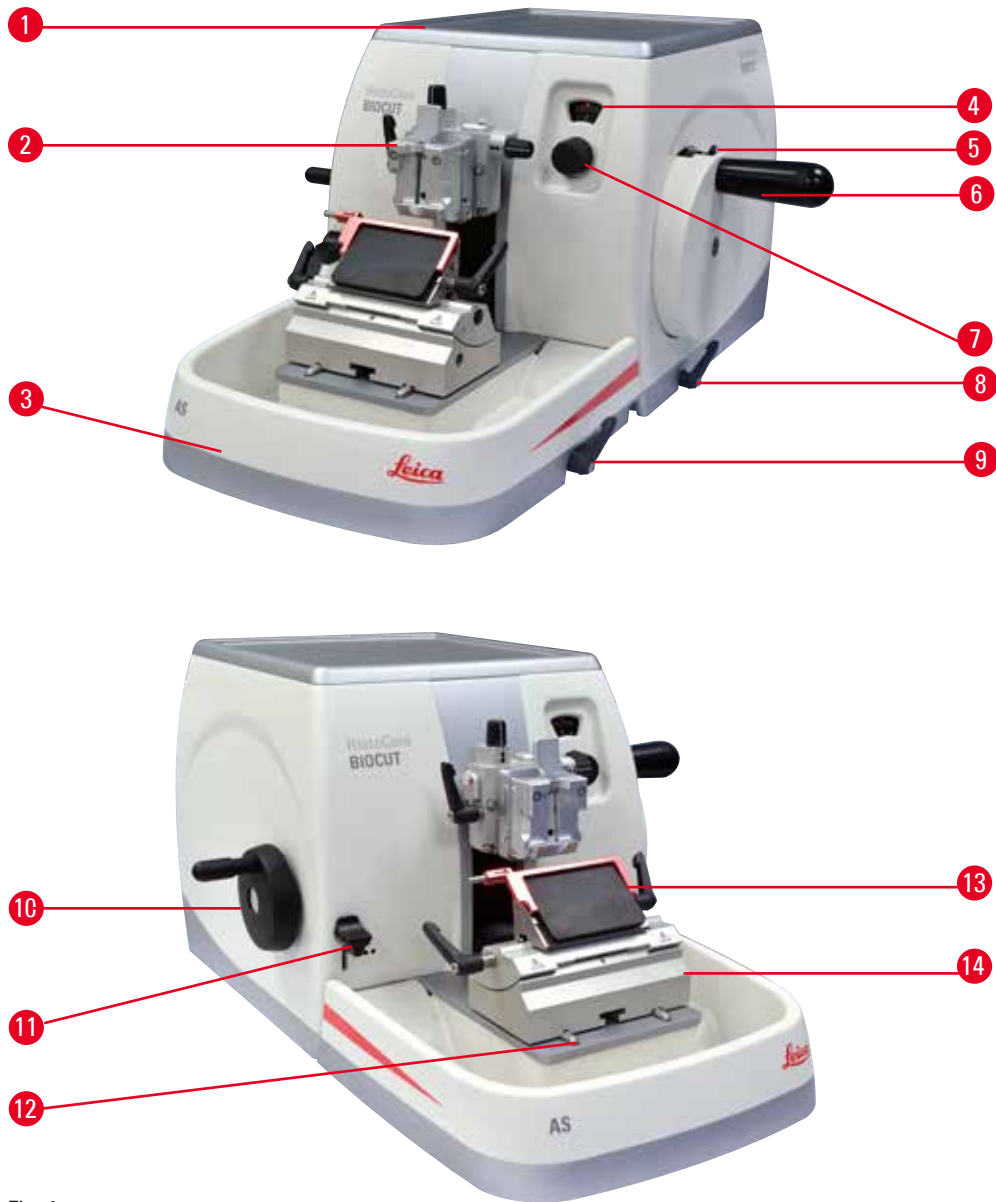


Fig. 4

- | | | | |
|---|--------------------------------------------------|----|-----------------------------------------------|
| 1 | Top tray | 8 | Handwheel brake lever |
| 2 | Object head with orientation and UCC | 9 | Clamping lever of the knife/blade holder base |
| 3 | Anti-static waste tray | 10 | Coarse feed wheel |
| 4 | Window for displaying the section thickness | 11 | Trimming lever |
| 5 | Handwheel locking mechanism | 12 | Microtome base |
| 6 | Handwheel | 13 | Two-in-one blade holder E |
| 7 | Adjusting knob for setting the section thickness | 14 | Blade holder base |

Rear view



Fig. 5

1 Magnet

2 Coarse feed direction change

3 Retraction switch

3.2 Instrument specifications

Basic instrument with 2-step mechanical trimming, silent retraction with ON/OFF selection, ergonomically positioned coarse feed wheel with user selectable turn directions, without specimen orientation or additional accessories.

- Manual mechanical rotary microtome with low-maintenance and backlash-free precision micrometer feed system.
- Horizontal feed and vertical stroke mechanisms with cross roller bearings.
- Smooth-running hand-wheel allows two manual sectioning modes: rocking mode and conventional manual sectioning with full hand-wheel rotation.
- Two independent hand-wheel locking systems.
- Operator-adjustable force balancing system with spring force compensation offers two advantages:
 1. Flexibility to adapt the spring force to different weights of specimen/clamps, minimizing the risk of an object head dropping into the knife.
 2. No need for a heavy counter balance in the hand-wheel.
- Silent specimen retraction system with ON/OFF function.
- Ergonomically positioned coarse feed wheel which can be personalized by user selectable preferred turn direction.
- Ergonomically positioned 2-step mechanical trimming lever for quick trimming of blocks using predefined trim steps of 30µm and 10µm.
- Large top surface area allows placement of objects that require a flat surface.
- Removable top tray allows storage of sectioning tools and prevents items from falling.

3.3 Technical Data

General

Section thickness range

1 - 60 µm

General

Section thickness increments	<ul style="list-style-type: none"> • From 1 - 10 μm in 1 μm increments • From 10 - 20 μm in 2 μm increments • From 20 - 60 μm in 5 μm increments
Horizontal feed range	24 \pm 2 mm
Vertical stroke length	70 \pm 1 mm
Maximum cutting range without retraction	69 mm
Maximum sectioning area with retraction	62 mm
Maximum specimen block size for large standard clamp (H x W x D)	55 x 50 x 30 mm
Maximum specimen block size for super cassette clamp (H x W x D)	68 x 48 x 15 mm
Silent specimen retraction:	Approx. 40 μm . Can be turned off.
Trimming function with 2 settings	10 μm , 30 μm
Coarse feed wheel turn direction clockwise or counter-clockwise	User selectable

Dimensions and weights

Width (including the handwheel and the coarse feed wheel)	477 mm
Depth (including the section waste tray)	620 mm
Height (without the top tray)	295 mm
Height (with the top tray)	303 mm
Weight (without accessories)	Approx. 31 kg
Volume of the section waste tray	1400 ml

Optional accessories

Specimen orientation with zero position	<ul style="list-style-type: none"> • Horizontal rotation: $\pm 8^\circ$ • Vertical rotation: $\pm 8^\circ$
Two-in-one blade holder	
<ul style="list-style-type: none"> • Lateral displacement function East-west movement • Movement of blade holder base 	<ul style="list-style-type: none"> • 3 positions • North-south: ± 24 mm

Operating environment

Operating temperature range	+18 $^\circ\text{C}$ to +30 $^\circ\text{C}$
Operating relative humidity	20 % to max. 80 % non-condensing

Operating environment

Operating altitude	Up to 2000 m above sea level
--------------------	------------------------------

Transport and storage environment

Transport temperature range	-29 °C to +50 °C
-----------------------------	------------------

Storage temperature range	+5 °C to +50 °C
---------------------------	-----------------

Transport and storage relative humidity	10 % to max. 85 % non-condensing
-----------------------------------------	----------------------------------

4. Setting up the instrument

4.1 Installation site requirements

- Stable, vibration-free laboratory table with horizontal, flat table top, as far as possible vibration-free ground.
- No other instruments nearby which might cause vibrations.
- Room temperature consistently between + 18 °C and + 30 °C.
- Obstruction-free access to the handwheel.



Danger

Explosive hazard.

Death or serious injury of persons, and/or property damage.

- Never operate the instrument in rooms with an explosive hazard.

4.2 Standard delivery - packing list

HistoCore BIOCUT configuration: 14 9BIO000C1

Quantity	Part description	Order No.
1	HistoCore BIOCUT basic instrument	14 0517 56235
1	Fine-directional fixture for specimen clamp	14 0502 37717
1	Quick clamping system	14 0502 37718
1	Universal cassette clamp	14 0502 37999
1	Blade holder base	14 0502 55546
1	2-in-1 Blade holder E	14 0502 54497

HistoCore BIOCUT basic instrument includes the following delivery list.

Quantity	Part description	Order No.
	HistoCore BIOCUT basic instrument	14 0517 56235
1	Handwheel, assembly	14 0501 38181
1	Anti-static waste tray	14 0517 56237
1	Top tray	14 0517 56261
1	Service pack, HistoCore BIOCUT	14 0517 56318
1	Schnorr-Safety Washer 10x6.4x0.7	14 3017 00073
1	Hexagon screw M6x16 DIN7984	14 2101 23130
1	Cover disc	14 3025 00008
1	Instructions for Use (printed English with language CD 14 0517 80200)	14 0517 80001

It is possible to configure a basic instrument with the below listed accessories to fit your application. To have a workable configuration, at least one item of the categories mentioned below must be ordered.

Basic instrument HistoCore BIOCUT	14051756235	Basic instrument HistoCore BIOCUT without all of the following: orientation, quick clamping system, specimen clamp, blade or knife holder set-up
------------------------------------------	-------------	--------------------------------------------------------------------------------------------------------------------------------------------------

select one

Specimen orientation	14050237717	Fine-directional fixture for specimen clamp (*)
	14050238949	Directional fixture for specimen clamp (*)
	14050238160	Rigid fixture for specimen clamp

must be ordered in addition to fixture orienting with (*)

Quick Clamping system (*)	14050237718	Quick clamping system (*)
----------------------------------	-------------	---------------------------

Order at least one specimen clamp

Specimen clamps	14050237999	Universal cassette clamp
	14050238005	Standard specimen clamp 50x55 mm
	14050237998	Standard specimen clamp 40x40 mm
	14050238967	Super cassette clamp
	14050246573	Leica RM CoolClamp

Order at least one blade or knife holder base and one blade or knife holder

Blade holder base and Blade holder	14050255546	Blade holder base
	14050254497	2-in-1 blade holder E
Knife holder base and knife holders	14050237962	Knife holder base
	14050237993	Knife holder N
	14050238961	Knife holder E w/trough low-profile

Additional optional accessories and knives/blades can be found in Chapter 6 (→ P. 48 – 6. Optional Accessories).

**Tip**

The accessories ordered are included in a separate box.

Please check all delivered parts against the packing list and against your order to verify whether the delivery is complete. Should you find any discrepancies, please contact your Leica Biosystems sales office without delay.

4.3 Unpacking and installation**Warning**

Accessories/instrument falling out of the package during unpacking.

Serious injury of persons and/or property damage.

- Be careful when unpacking the instrument.
- Once unpacked, the instrument must be moved only in an upright position.
- Thoroughly follow the instructions given in the Unpacking Instructions attached at the outside of the package or the actions described in the Instructions for Use.

**Warning**

Instrument is lifted inappropriately.

Serious injury of persons and/or property damage.

- When lifting the instrument touch it only at the lifting points described in the Instructions for Use and Unpacking Instructions (base plate at the front and under the instrument on the back).
- Do not transport the instrument by holding it by the handwheel grip, coarse feed wheel or the knob for setting the section thickness.
- Always remove the section waste tray before transporting the instrument.

**Warning**

Careless moving of the instrument.

Serious injury of hands and/or fingers due to getting crushed between instrument and working surface.

- When moving the instrument, touch it only at the lifting points described in the Instructions for Use and Unpacking Instructions (base plate at the front and under the instrument on the back).
- Thoroughly pay attention that hands do not get between instrument and working surface.

**Warning**

Instrument not positioned safely with all 4 feet on an appropriate laboratory table.

Serious injury of persons and/or property damage.

- Put the instrument only on a stable, vibration-free laboratory table with horizontal, flat table top. Ground needs to be vibration-free as far as possible.
- Always make sure that all 4 feet are positioned completely on the laboratory table.
- If the instrument has been potentially moved by other persons (for example for servicing) always double-check correct positioning.

**Caution**

Accessories/components loosening/damaged during transportation.

Property damage or delayed diagnosis.

- The packaging has the ShockDot Impact Indicator, that indicates improper transport. When the instrument is delivered, check this first. If the indicator is triggered, the package was not handled as prescribed. In this case, please mark the shipping documents accordingly and check the shipment for damage.

**Tip**

The transport carton and included retaining elements should be kept in case a return shipment is necessary later. To return the instrument, follow the instructions below in reverse order.



Fig. 6

- Remove the packing strap and the adhesive tape (→ "Fig. 6-1").
- Remove the carton lid (→ "Fig. 6-2").



Fig. 7

- Take out the accessory carton (optional accessories) (→ "Fig. 7-3") and the cartons (→ "Fig. 7-4") for the standard scope of delivery.



Fig. 8

- Take out the fixing module (→ "Fig. 8-5"). To do so, hold it by the top edge of the module and in the recessed grip (→ "Fig. 8-6") and pull it out by pulling upwards.
- Remove the outer carton wall (→ "Fig. 8-7").
- Lift the instrument (→ "Fig. 8-8") by holding it by the base plate at the front (→ "Fig. 9-11") and under the instrument on the back (→ "Fig. 9-12") and lift it out of the formed cushion (→ "Fig. 8-9"). (The instrument illustration is provided as an example only.)

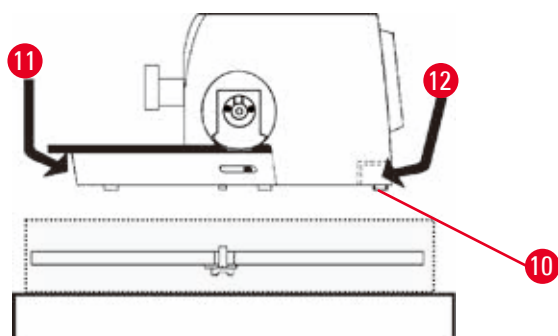


Fig. 9

- Place the instrument on a stable laboratory table. The two sliding elements (→ "Fig. 9-10") located on the rear of the base plate make it easier to move the instrument on the table.
- To move the instrument, hold it by the front of the base plate (→ "Fig. 9-11"), lift it up gently and slide it on its slides.

4.4 Assembling the handwheel



Tip

The handwheel has to be assembled before attempting to use the instrument. The necessary parts and tools can be found in the tool kit supplied in the delivery.

4 Setting up the instrument

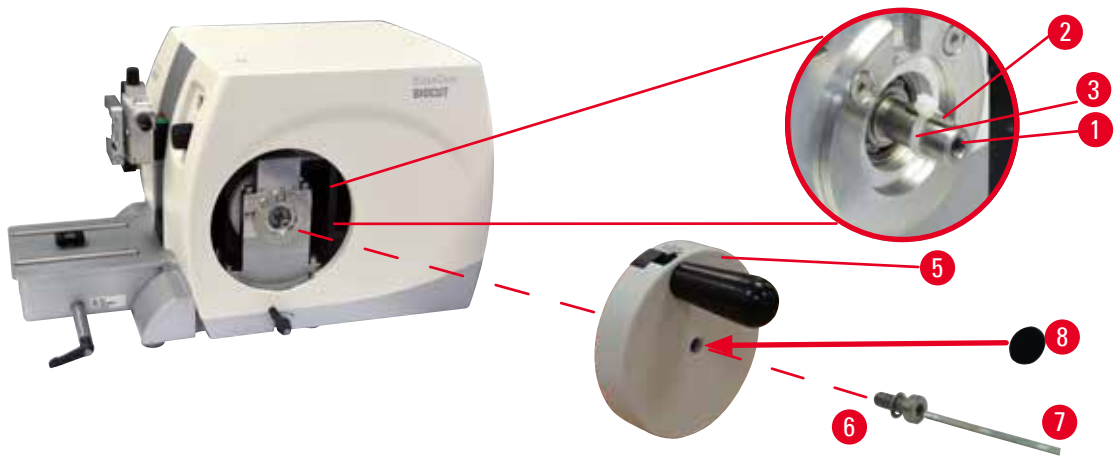


Fig. 10

The feather key (→ "Fig. 10-2") is loosely placed in the handwheel shaft (→ "Fig. 10-1") and fixed in place with a cable tie during transport.

1. Remove the cable tie (→ "Fig. 10-3").



Caution

The feather key is lost when mounting the handwheel.

The instrument cannot be used, and it may cause the delay of diagnosis.

- Before assembling the handwheel, check the feather key and make sure that it is in the handwheel shaft.

2. Place the handwheel (→ "Fig. 10-5") on the handwheel shaft (→ "Fig. 10-1") as shown.
3. Tighten the screw (→ "Fig. 10-6") located in the center hole of the handwheel with a Hexagon key No. 4 (→ "Fig. 10-7").
4. Remove the cover foil from the self-adhesive cover disk (→ "Fig. 10-8") and fix the cover disk on the handwheel.

5. Operation

5.1 Operating elements and their functions

5.1.1 Section thickness setting

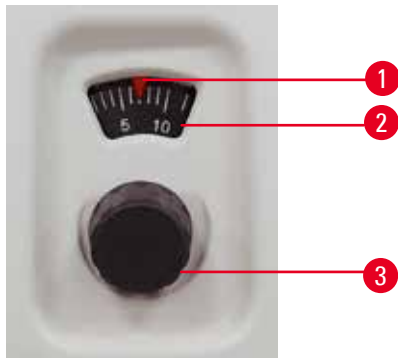


Fig. 11

The section thickness is set by turning the adjusting knob (→ "Fig. 11-3") at the front of the microtome on the right.

Setting range: 1 - 60 μm

from 1- 10 μm in 1 μm increments

from 10 - 20 μm in 2 μm increments

from 20 - 60 μm in 5 μm increments.

The section thickness set in each case is displayed in the window (→ "Fig. 11-2").

The selected section thickness (on the scale) must agree with the red pointer (→ "Fig. 11-1").

5.1.2 Coarse feed wheel



The rotation of the coarse feed wheel (→ "Fig. 12-1") can be set as clockwise or counterclockwise to advance the object head.

The adjusting slot (→ "Fig. 12-2") is located at the rear plate of the instrument. Use the flat screw driver (supplied with the delivery) to turn the slot into horizontal position (clockwise) (→ "Fig. 12-3") or vertical position (counterclockwise) (→ "Fig. 12-4").

The coarse motion serves for a fast horizontal forwards movement of the specimen - towards the knife - and backwards - away from the knife. When reaching the rear/front end positions, the coarse feed wheel can only be turned with difficulty. In the front end position, no more feed motion takes place.

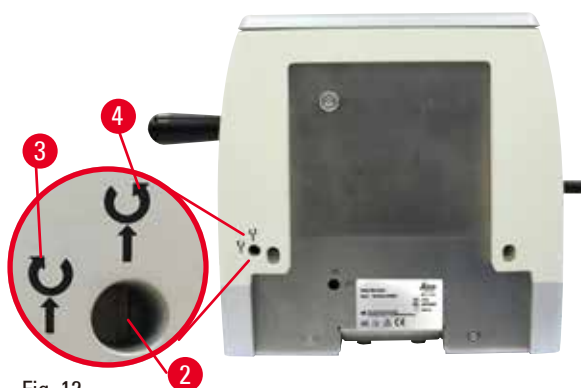


Fig. 12



Caution

Rotating the handwheel and the coarse feed wheel at the same time.

Specimen damage.

- Do not turn the coarse feed wheel whilst rotating the handwheel.

5.1.3 Specimen retraction



Fig. 13

The silent specimen retraction offers the advantage of easy ribboning and avoids contact to protect both the cut block surface and the blade during the return stroke of the object head. It can be switched ON/OFF by the operator. While trimming, using the rocking mode, it is recommended to switch the retraction off. When the retraction is switched on, the specimen is drawn back approximately 40 μm when the object head reaches the lower turn point. The retraction value and the selected section thickness will be fed when the object head reaches the upper turn point.

The specimen retraction can be switched off manually at the back of the instrument (\rightarrow "Fig. 13"), if required, using the flat screw driver (supplied with the delivery). For turning the retraction Off, turn the slot into the horizontal position (OFF). For turning the retraction On, turn the slot into the vertical position (ON). Before switching the specimen retraction On and Off, run the object head to the upper end position by turning the handwheel.

5.1.4 Mechanical trimming function

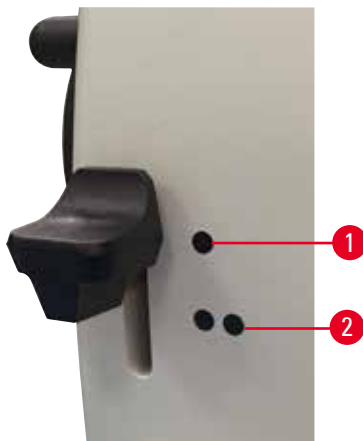


Fig. 14

The instrument is fitted with a mechanical trimming function. The trimming lever has 3 notching positions (0 = trimming lever not pressed, 10 μm , 30 μm).

The points (\rightarrow "Fig. 14-1") and (\rightarrow "Fig. 14-2") mark the two trimming stages:

(\rightarrow "Fig. 14-1") = 10 μm

(\rightarrow "Fig. 14-2") = 30 μm

For activating the trimming function, press the lever downwards into one of the two notching positions and keep depressed. After each rotation of the handwheel, a feed motion of 10 μm or 30 μm takes place.

After letting go of the lever, it automatically springs back to its original position (zero position). The trimming function is thereby deactivated and the section thickness selected in (\rightarrow P. 31 – 5.1.1 Section thickness setting) will be fed with each hand wheel turn.

**Tip**

The section thickness that has been set is not added to the selected trimming value.
If the section thickness that has been set is greater than the selected trimming value, the set section thickness is fed.

5.1.5 Fine directional specimen holder fixture**Tip**

In the quick clamping system of the directional specimen holder fixture, all specimen clamps available as optional accessories can be used.

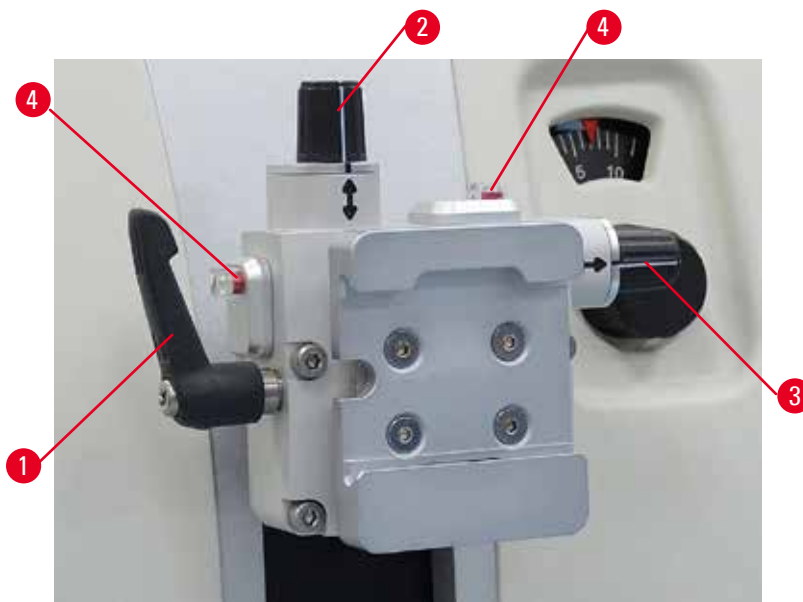


Fig. 15

The specimen orientation allows for simple position correction of the specimen surface when the specimen is clamped into place.

The directional specimen holder fixture may be exchanged for a non-directional fixture (optional accessory).

Display of the zero position

For better display of the zero position, the orientation has two red indicators (→ "Fig. 15-4").

When both indicators are fully visible and both setscrews are in zero position at the same time (white markings align with the arrows), the specimen is in zero position.

Orienting the specimen



Warning

Specimen is oriented in retraction phase.

Specimen damage due to re-orienting the specimen in retraction phase.

- Specimen blocks must not be oriented during the retraction phase. If a block is oriented during retraction, the block will advance by the retraction value plus the selected section thickness before the next section. This may cause damage to both specimen and knife/blade.
1. Raise the object head to the upper end position and activate the handwheel locking mechanism.
 2. To release the clamp, turn the eccentric lever (→ "Fig. 15-1") clockwise.
 3. Turn setscrew (→ "Fig. 15-2") to orient the specimen in vertical direction. Turn setscrew (→ "Fig. 15-3") to orient the specimen in horizontal direction. Each complete turn of the screw inclines the specimen by 2°. A total of 4 complete turns = 8° are possible in every direction. The accuracy is approximately ± 0.5°. For ease of estimation, there is a white mark on the handle and a click stop that is noticeable during turning.
 4. To lock the current orientation, turn the eccentric lever (→ "Fig. 15-1") counterclockwise.



Tip

When the large standard specimen clamp (50 x 55 mm) or the super cassette clamp is used, the specimen orientation of ± 8° in north-south direction is no longer possible. The usable angle for the large standard specimen clamp (50 x 55 mm) is only about ± 4° in this case.

5.1.6 Fine adjustment of the force balance



Fig. 16

If another accessory of a different weight is mounted on the object head (→ "Fig. 16-1"), you must check whether it is necessary to readjust the force balance.

- Attach the new accessory and clamp the specimen.
- Set the object head to half the height of the vertical travel range by turning the handwheel (→ "Fig. 16").

If the object head remains in this exact position, the setting is correct.

If the object head moves, i.e. it is raised or lowered, fine adjustment is necessary.

**Warning**

Wrong fine adjustment of the force balance.

Serious injury of the operator due to contact with knife and/or specimen damage.

- Before working with the instrument, always double-check that the fine adjustment of the force balance is properly set.
- If fine adjustment is not properly set, do not work with the instrument but perform a readjustment.
- Especially after changing accessories at the object head, perform a fine adjustment of the force balance immediately.



Fig. 17

The force balance is adjusted using the screw (→ "Fig. 17-1"), which can be accessed by removing the section waste tray on the bottom of the base plate of the microtome. Use the Hexagon key No. 5 (with handle) for the adjustment.

- If the object head moves downwards, turn the screw (→ "Fig. 17-1") approx. 1/2 turn clockwise each time.
- If the object head moves upwards, turn the screw (→ "Fig. 17-1") approx. 1/2 turn counterclockwise each time.
- Continue this procedure until the object head no longer moves once released.

**Tip**

Repeat the adjusting procedure several times till the object head no longer moves.

5 Operation

5.2 Inserting the two-in-one blade holder E

5.2.1 Setting up the blade holder base

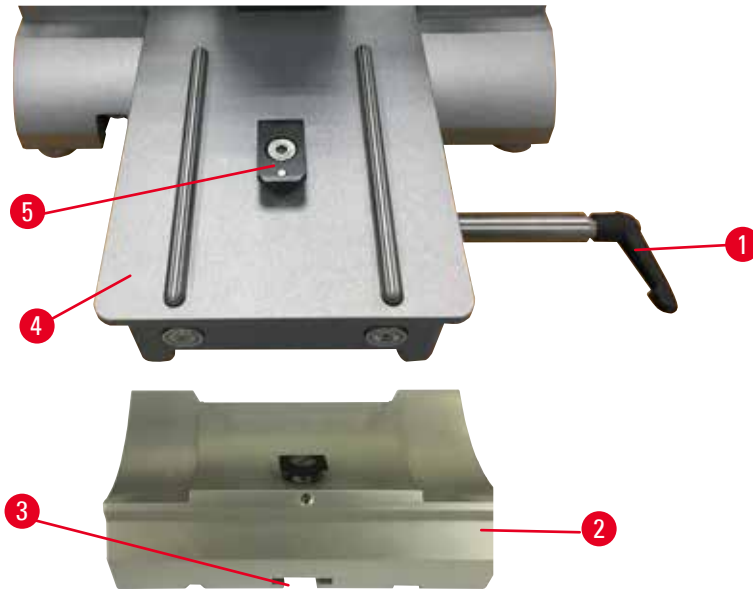


Fig. 18

1. Release the clamping lever (→ "Fig. 18-1") by rotating it counterclockwise.
2. Insert the blade holder base (→ "Fig. 18-2") using the notch (→ "Fig. 18-3") on the bottom into the T-piece (→ "Fig. 18-5") of the microtome base plate (→ "Fig. 18-4").
3. The blade holder base (→ "Fig. 18-2") can be moved back and forth on the microtome base plate. This allows bringing the two-in-one blade holder E to optimal sectioning position in relation to the specimen. To secure the blade holder base, turn the clamping lever (→ "Fig. 18-1") clockwise.

5.2.2 Inserting the two-in-one blade holder E

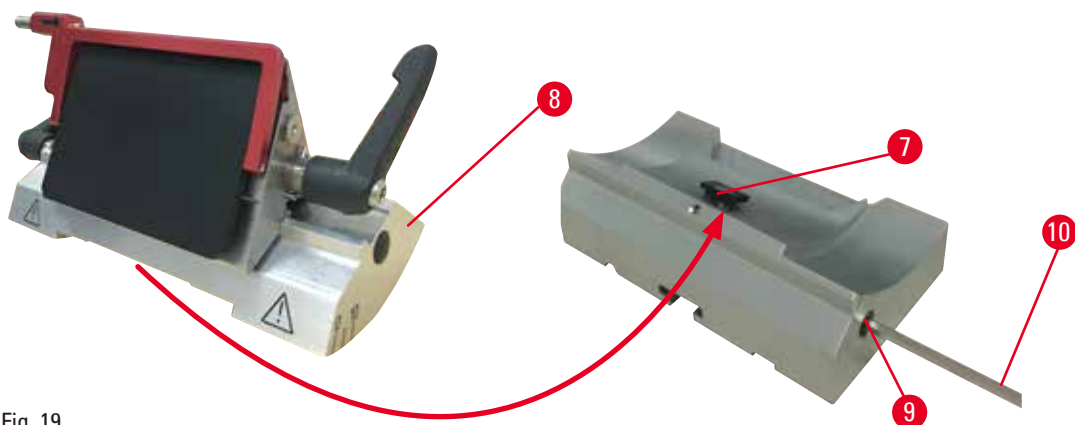


Fig. 19

1. Loosen the eccentric bolt (→ "Fig. 19-9") using a Hexagon key No. 4 (→ "Fig. 19-10").
2. Place the two-in-one blade holder E (→ "Fig. 19-8") with the underside groove onto the T-piece (→ "Fig. 19-7") of the knife holder base (→ "Fig. 18-2").
3. To clamp, retighten the eccentric bolt (→ "Fig. 19-9").

5.3 Adjusting the clearance angle

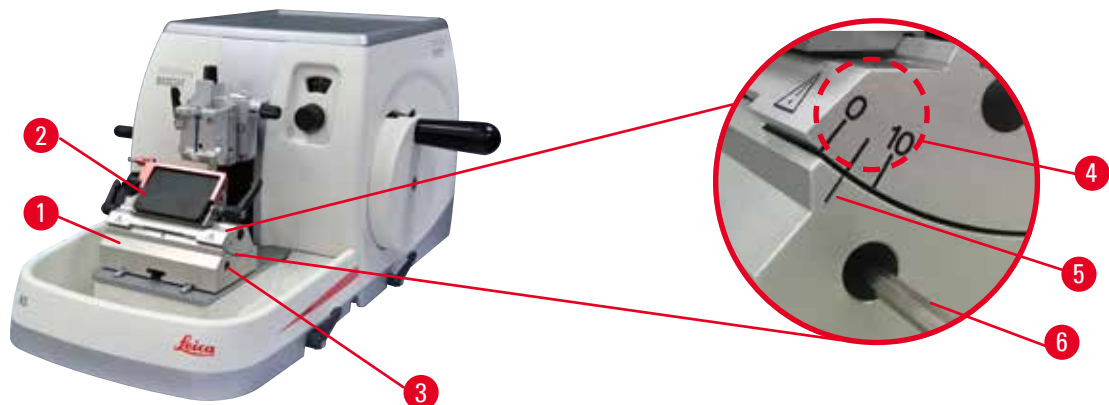


Fig. 20

The index marks (0°, 5° and 10°) for adjustment of the clearance angle (→ "Fig. 20-4") are located on the right side of the two-in-one blade holder E (→ "Fig. 20-2"). There is also an index mark (→ "Fig. 20-5") on the right side of the blade holder base (→ "Fig. 20-1") which serves as a reference point when adjusting the clearance angle.

1. Loosen the screw (→ "Fig. 20-3") using a Hexagon key No. 4 (→ "Fig. 20-6") until the two-in-one blade holder E (→ "Fig. 20-2") can be moved.
2. Move the two-in-one blade holder E until the index mark of the desired clearance angle coincides with the reference line on the blade holder base. Enlarged detail (→ "Fig. 20") shows a clearance angle setting of 5°.



Tips

The recommended clearance angle setting for the two-in-one blade holder E is approx. 2.5° - 5°.

3. Hold down the two-in-one blade holder E in this position and retighten the screw (→ "Fig. 20-3") for clamping.

5.4 Inserting the universal cassette clamp

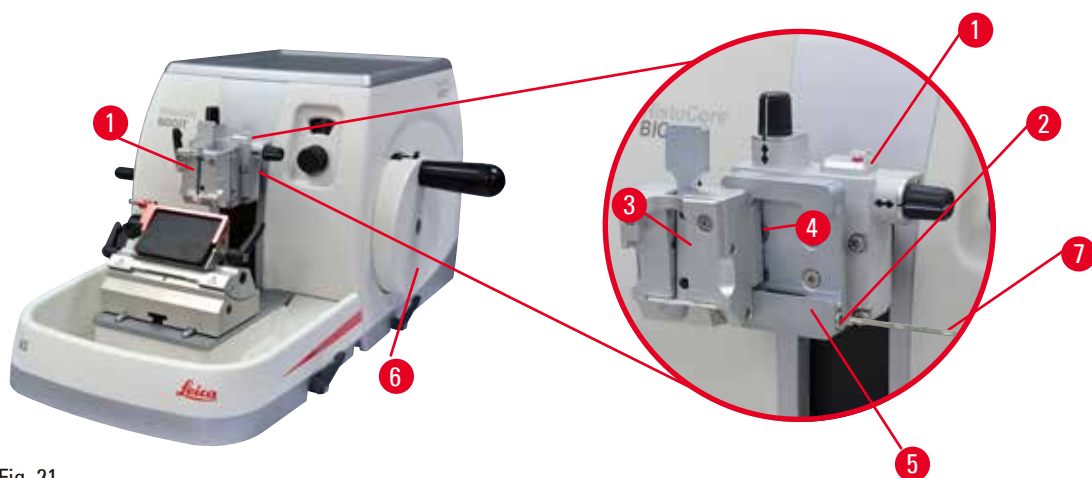


Fig. 21

5 Operation

There are two specimen holder fixtures with orientation and one without, please see (→ P. 48 – 6. [Optional Accessories](#)). The specimen orientation allows for simple position correction of the specimen surface when the specimen is clamped into place. You can use the quick clamping system (→ "Fig. 21-5") to hold all available accessory specimen clamps (for more information, see (→ P. 48 – 6. [Optional Accessories](#))).

To do so, proceed as follows:

1. Move the object head (→ "Fig. 21-1") to the upper end position by turning the handwheel (→ "Fig. 21-6") and engage the handwheel locking mechanism.
2. To release the clamping system, turn the screw (→ "Fig. 21-2") of the quick clamping system (→ "Fig. 21-5") counterclockwise using a Hexagon key No. 4 (→ "Fig. 21-7").
3. Push the guide (→ "Fig. 21-4") of the universal cassette clamp (→ "Fig. 21-3") from the left into the quick clamping system (→ "Fig. 21-5") as far as it will go.
4. To clamp the cassette clamp turn the screw (→ "Fig. 21-2") clockwise as far as it will go.



Tip

Since all specimen clamps available as accessories are equipped with the same kind of guide on the back, they are inserted in the same way described here using the example of the cassette clamp.

5.5 Clamping the specimen



Warning

The operator grabs into the knife or blade due to inappropriate working procedure.

Serious injury of persons when putting the specimen in place if knife or blade has been installed before.

- Prior to uploading the specimen on the microtome, make sure that the cutting edge has been covered by the safety guard and the hand wheel locking mechanism has been activated. Once the operator wants to upload the specimen as well as inserting a knife/blade, always upload the specimen block before mounting and clamping the knife/blade.

1. Rotate the handwheel until the specimen clamp is in the upper end position.
2. Lock the handwheel or activate the handwheel locking mechanism (→ P. 19 – 2.3.1 [Locking the handwheel](#)).
3. Insert a specimen into the specimen clamp.



Tip

A detailed description for inserting the specimen into various specimen clamps and specimen holders is provided in (→ P. 48 – 6. [Optional Accessories](#)).

5.6 Clamping the knife/disposable blade



Warning

Knives or blades are handled and/or disposed in an inappropriate manner.

Serious injury of persons due to contact with extremely sharp knives and/or blades.

- Work especially thoroughly and carefully when handling knives and/or blades.
- Always wear dedicated clothes (including cut-resistant gloves) when handling knives and/or blades.
- Dispose knives and blades always in a safe place (for example, dedicated knife case) and an appropriate manner that ensures that people cannot get hurt.
- Never place a knife anywhere with the cutting edge facing upwards and never try to catch a falling knife!
- Always clamp the specimen BEFORE mounting and clamping the knife/blade.



Warning

The operator installs two knives and/or blades on the knife and/or blade holder.

Serious injury of persons due to contact with extremely sharp knives and/or blades.

- Do not clamp two knives/blades on the knife holder/blade holder. Install the knife/blade in the center of the knife/blade holder. Knives/Blades must not exceed the edge of the knife/blade holder.



Warning

Too thick or thin blade used in the two-in-one blade holder.

Sample impaired.

- Use a blade with a maximum thickness of less than 0.322mm and a minimum thickness of more than 0.246mm.
- The recommended compatible blade is listed in Optional Accessories (→ P. 48 – 6. [Optional Accessories](#)).



Warning

The blade is not installed completely parallel to the upper edge of the pressure plate due to excess paraffin, uncleaned inserts, etc..

When using the lateral movement function, failure to install the blade parallel to the pressure plate may result in poor sectioning results. For example, if a section is too thick or thin, chattering within the section, in the worst-case scenario, may damage the specimen.

- Do not continue the sectioning when getting unsatisfying section results.
- Re-install the blade and make sure that it is parallel to the upper edge of the pressure plate.
- Always check the parallelism between the blade and pressure plate after moving the blade using the lateral movement function.
- Ensure there is no paraffin waste and the insert is clean before use.

5 Operation

Inserting high-profile blades

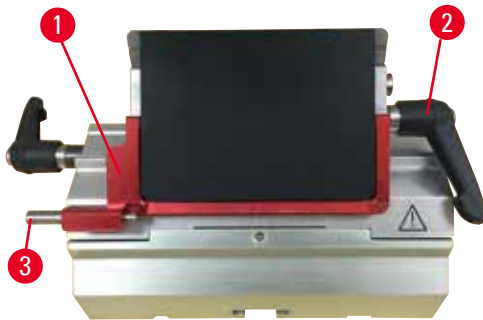


Fig. 22

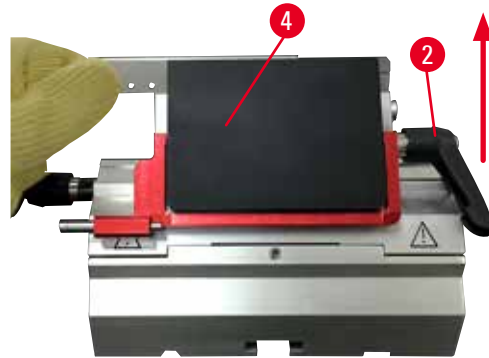


Fig. 23

1. Bring the safety guard (→ "Fig. 22-1") down.
2. To insert the blade, rotate the right clamping lever (→ "Fig. 22-2") counterclockwise.
3. Carefully push in the blade from above or from the side. Make sure that the blade is positioned in the center and, most importantly, parallel to the upper edge of the pressure plate(→ "Fig. 23-4").
4. To clamp the blade, rotate the clamping lever (→ "Fig. 22-2") clockwise.

Inserting low-profile blades

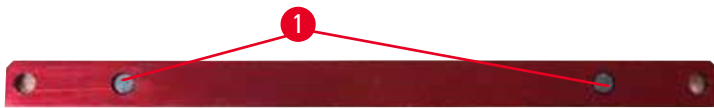


Fig. 24



Fig. 25

When using low-profile blades, the insert (→ "Fig. 25-1") for low-profile blades must first be placed in the two-in-one blade holder E and make sure that the bottom edge of the insert fits closely to the groove of the blade holder.

Two magnets are attached to the rear side of the insert (→ "Fig. 24-1"). They point away from the operator (towards the rear pressure plate) after the insert has been inserted with the rounded edges showing upwards. Make sure that the insert is pushed all the way down and allows the blade to sit parallel to the cutting edge - if this is not done properly there is risk of damaging the specimen.

Then insert the blade as described (for high profile blade) (→ P. 40 – Inserting high-profile blades).

Removing the blades

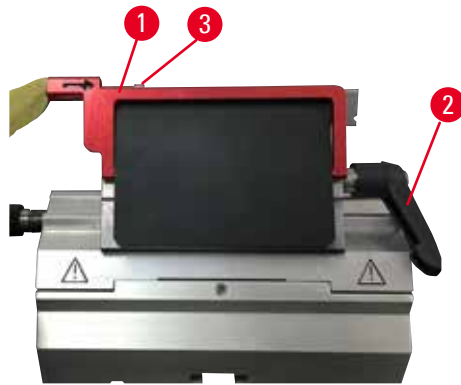


Fig. 26



Fig. 27

1. Rotate the clamping lever (→ "Fig. 26-2") counterclockwise.
2. Push the pin (→ "Fig. 26-3") on the blade ejector.



Tips

Use the blade ejector to safely eject the blade.

3. Bring the safety guard (→ "Fig. 27-1") down. Use the brush with magnet (→ "Fig. 27-4") to remove the blade from the right side and out.

Once the blade has been removed from the two-in-one blade holder E, it is disposed in the used blade container on the downside of the blade dispenser (→ "Fig. 28").



Fig. 28



Warning

Knives or blades are handled and/or disposed in an inappropriate manner.

Serious injury of persons due to contact with extremely sharp knives and/or blades.

- Work especially thoroughly and carefully when handling knives and/or blades.
- Always wear dedicated clothes (including cut-resistant gloves) when handling knives and/or blades.
- Dispose knives and blades always in a safe place (for example, dedicated knife case) and an appropriate manner that ensures that people cannot get hurt.
- Never place a knife anywhere with the cutting edge facing upwards and never try to catch a falling knife!
- Always clamp the specimen BEFORE mounting and clamping the knife/blade.

5 Operation



Tip

Detailed descriptions for inserting the knife into the individual knife holders are provided in ([→ P. 48 – 6. Optional Accessories](#)).

5.7 Trimming the specimen



Warning

Wheel turn direction of coarse feed incorrectly selected.

Specimen damage.

- Always assure that you have selected the correct turn direction of the coarse feed wheel by checking the setting of the coarse feed wheel direction at the rear side of the instrument.



Caution

Rotating the handwheel and the coarse feed wheel at the same time.

Specimen damage.

- Do not turn the coarse feed wheel whilst rotating the handwheel.



Warning

Fingers put between the specimen and the knife/blade after the handwheel is released when doing fast manual trimming.

Operator can get cut and injured due to the turning of the handwheel when it is unlocked.

- Do not put fingers between the specimen and the knife/blade during trimming and sectioning.

1. Move the specimen to the rear end position by turning the coarse feed wheel.
2. Push the knife/blade holder on the knife/blade holder base almost until it is just before the specimen.
3. Orientate the position of the specimen surface in relation to the knife/blade (only in the case of specimen holders that can be orientated).
4. Release the handwheel locking mechanism, or handwheel brake lever, respectively.
5. Use two step mechanical trim function and press lever to select the desired trim thickness.
6. Begin the trimming process by turning the handwheel.
7. Stop the trimming process when the required specimen level has been reached.
8. Let go of the trimming lever.

5.8 Sectioning



Warning

Personnel with insufficient qualification working with the instrument.

Serious injury of persons and or specimen damage can occur when specimen approaches knife/ blade due to inappropriate operator actions, for example, because object head may drop onto knife holder when handwheel is unlocked.

- Always make sure that only laboratory personnel with dedicated and sufficient training and qualification operates the instrument.
- Always make sure that all laboratory personnel designated to operate this instrument has read these Instructions for Use carefully and is familiar with all technical features of the instrument before start working with it.



Warning

Personal protective equipment is not used.

Injury of persons.

- When working with microtomes, personal safety precautions must always be taken. It is mandatory to wear work safety shoes, safety gloves, a mask and safety goggles.



Warning

Working with the instrument and brittle specimen without appropriate protective clothes.

Serious injury of persons by splinters while cutting brittle specimen.

- Always wear appropriate protective clothes (including safety goggles) and work especially carefully when cutting brittle specimen.



Warning

Insufficient frame conditions for sectioning.

Specimen damage or poor sectioning results, for example, sections alternating in thickness, compressed, folded or stripped sections.

- Do not continue sectioning if you recognize insufficient sections results.
- Make sure that all prerequisites for appropriate sectioning are met. Refer to the troubleshooting section of these Instructions for Use for further details.
- If you do not have sufficient knowledge in regards of troubleshooting insufficient sectioning results consult persons who do have that knowledge, for example, application experts of Leica Biosystems.



Warning

Turn the handwheel counterclockwise.

People injury/Damage to specimen

- Do not turn the handwheel counterclockwise, which may lead to handwheel locking mechanism malfunction.

5 Operation



Warning

The rotation speed of the handwheel does not suit the hardness of the specimen.

Instrument damage and possibly specimen damage.

- The rotation speed of the handwheel must be adapted to suit the hardness of the specimen. For harder specimens, use a slower speed.



Warning

In the manual sectioning mode, the user cuts the specimen block by rotating the handwheel at a very high speed.

It may lead to poor sectioning quality and even damage the specimen.

- In the manual sectioning mode, the rotation speed of the handwheel shall be no more than 60 rpm.



Caution

After the knife/blade holder is laterally displaced, the specimen is not retracted and retrimmed.

Specimen damage.

- Retract the object head and retrim the specimen block each time after laterally displacing the knife/blade holder.



Note

Accessories and components experience corrosion due to using corrosive/strongly acidic/alkaline reagent or solvent with the instrument or accessories, such as decalcified solution that contains acid, ammonium hydroxide that contains alkali, etc.

Accessories can malfunction.

- Avoid corrosive/strongly acidic/alkaline reagent or solvent dripping onto the instrument surface or accessories.
- If such reagent or solvent has dripped onto the instrument surface or accessories, wipe off the residue and dry the accessories sufficiently as soon as possible.
- If such reagent or solvent is used frequently, carry out a thorough daily cleaning of the blade holder, the universal cassette clamp (UCC), and other accessories if necessary.

1. Set the required section thickness, or check the value setting on the window for displaying the section thickness, respectively.
2. Always use a different area of the cutting edge for trimming and sectioning. To do so, laterally displace the knife in the knife holder. When using the two-in-one blade holder E with lateral displacement, the complete clamping top is moved.
3. For sectioning, turn the handwheel evenly in a clockwise direction.



Caution

Rotating the handwheel and the coarse feed wheel at the same time.

Specimen damage.

- Do not turn the coarse feed wheel whilst rotating the handwheel.

4. Pick up the sections, stretch them and mount them on microscope slides.

5.9 Changing the specimen or interrupting sectioning



Warning

The handwheel is unlocked and the object head drops into knife/blade holder.

People injury/Damage to specimen.

- Except sectioning phase, the handwheel must be locked at all times.



Warning

Specimen is oriented in retraction phase.

Specimen and knife/blade damage due to re-orienting the specimen in retraction phase.

- Specimen blocks must not be oriented during the retraction phase. If a block is oriented during retraction, the block will advance by the retraction value plus the selected section thickness before the next section. This may cause damage to both specimen and knife/blade.



Warning

Knife/blade is not covered with the appropriate guard when not sectioning specimen.

Serious injury of persons.

- Always cover the knife/blade edge with the safety guard prior to any manipulation of knife/blade or specimen clamp, prior to changing the specimen and during all work breaks.



Warning

Uploading or unloading the specimen on the microtome without appropriate clothes and in an inappropriate manner.

Operator can get cut and injured which can lead to serious consequences.

- Always use cut resistant safety gloves when handling the specimen within the microtome.
- Lock the handwheel and cover the knife edge with the safety guard prior to any manipulation of the specimen clamp and prior to changing the specimen.

1. Raise the specimen to the upper end position and activate the handwheel locking mechanism.
2. Cover the sectioning edge with the safety guard.
3. Remove the specimen from the specimen clamp and mount a new sample to continue.
4. Move the specimen clamps with the coarse feed wheel back far enough until the new specimen can start being cut.

5.10 Finishing the daily routine



Warning

Section waste tray falling down after it has been detached.

Injury of persons.

- Work especially carefully when detaching the section waste tray and put it in a safe place.

**Warning**

Knife/blade was not removed when knife/blade holder was uninstalled from the microtome.

Serious injury of persons due to contact with extremely sharp knife/blade.

- Before uninstalling the knife/blade holder from the microtome always make sure to detach the knife/blade wearing cut-resistant gloves and store the knife/blade in a safe place.

**Warning**

Knife/blade stored in inappropriate manner.

Serious injury of persons, for example due to unexpected fall off.

- Always store knife/blade in an appropriate place when not using them, for example store it in the dedicated knife case.
- Never place a knife anywhere with the cutting edge facing upwards and never try to catch a falling knife.

**Warning**

Paraffin waste falls on the floor and is not cleaned-up.

Serious injury of persons, for example, by slipping and stumbling into the knife/blade.

- Always clean up paraffin waste before it spreads, becomes slippery, and becomes a hazard.
- Wear appropriate shoes.

1. Move the specimen to the upper end position by turning the handwheel and engage the handwheel locking mechanism.
2. Remove the blade from the two-in-one blade holder E and insert it in the receptacle at the bottom of the dispenser, or remove the knife from the knife holder and put it back in the knife case.
3. Remove the specimen from the specimen clamp.
4. Move the object head to the rear end position or move the knife holder on the knife holder base outwards.
5. Push all section debris into the section waste tray and empty the tray.
6. Clean the instrument (→ P. 80 – 8.1 [Cleaning the instrument](#)).

6. Optional Accessories

6.1 Assembly for fixture for specimen clamps



Tips

Depending upon the purchase order, the basic instrument is delivered with the fine directional, directional or rigid fixture for specimen clamps which must be assembled first. All specimen clamps available as accessories can be used in one of the three fixtures for specimen clamps.

Before assembling the fixture for specimen clamps, activate the handwheel locking mechanism.

6.1.1 Rigid fixture for specimen clamps



Tips

Remove the rubber ring (→ "Fig. 29-5") only after attaching the object head.

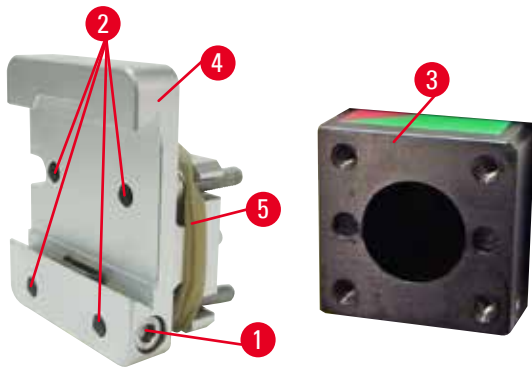


Fig. 29

Screw the rigid fixture for specimen clamps (→ "Fig. 29-4") onto the object head (→ "Fig. 29-3").

- Remove the screw (→ "Fig. 29-1"), place the specimen holder fixture (→ "Fig. 29-4") onto the object head (→ "Fig. 29-3") from the front and tighten the screws (→ "Fig. 29-2") with a Hexagon key No. 3.
- Next, insert the screw (→ "Fig. 29-1") from the side and briefly tighten it with a Hexagon key No. 4.

6.1.2 Directional fixture for specimen clamps

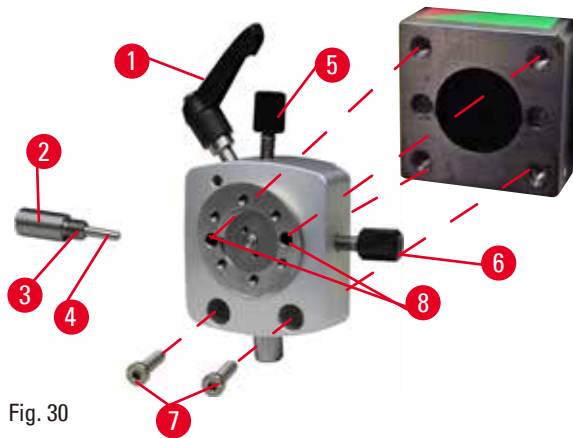


Fig. 30

- Loosen the eccentric bolt (→ "Fig. 30-1") by turning it counterclockwise.
- Completely unscrew the thrust piece (→ "Fig. 30-2") with a flat-tip screwdriver and pull it out with spring (→ "Fig. 30-3") and pin (→ "Fig. 30-4").
- Completely unscrew the setscrews (→ "Fig. 30-5") and (→ "Fig. 30-6").
- Install the directional fixture for specimen clamps by tightening the screws in the bores (→ "Fig. 30-8") (2 screws are accessible through the bores) using a Hexagon key No. 3. Insert the screws (→ "Fig. 30-7") in the bores as shown and screw them in using a Hexagon key No. 3.
- Insert the spring (→ "Fig. 30-3") and pin (→ "Fig. 30-4") with the flatter side into the thrust piece (→ "Fig. 30-2"). Completely screw in the thrust piece with a flat-tip screwdriver.
- Completely screw in the setscrews (→ "Fig. 30-5") (→ "Fig. 30-6").

6.1.3 Fine-directional fixture for specimen clamps

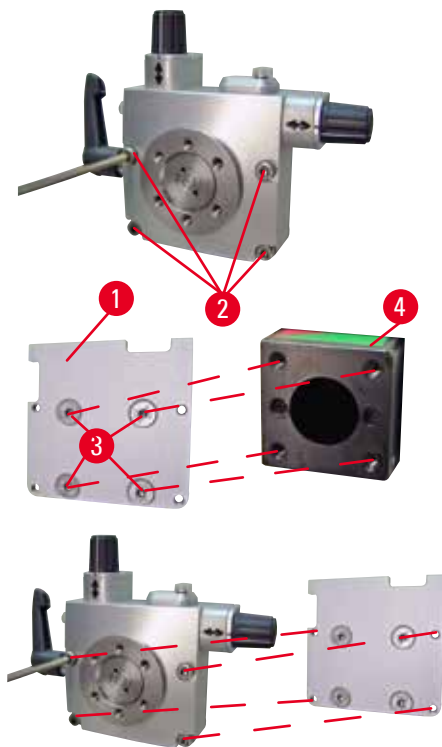


Fig. 31

- Before the fine-directional fixture for specimen clamps can be mounted, loosen 4 screws (→ "Fig. 31-2") (Hexagon key No. 3) and carefully remove the fixture for specimen clamps from the baseplate (→ "Fig. 31-1").
- Using the 4 supplied screws (→ "Fig. 31-3") and the Hexagon key No. 3, fasten the baseplate to the object head (→ "Fig. 31-4").
- Now, screw the fine-directional fixture for specimen clamps with the 4 screws (→ "Fig. 31-2") and the Hexagon key No. 3 onto the object head.



Tips

If the fine-directional fixture for specimen clamps is not used, retain the baseplate (→ "Fig. 31-1") and 4 screws (→ "Fig. 31-3") together with the fine-directional fixture for specimen clamps.

6.1.4 Quick clamping system

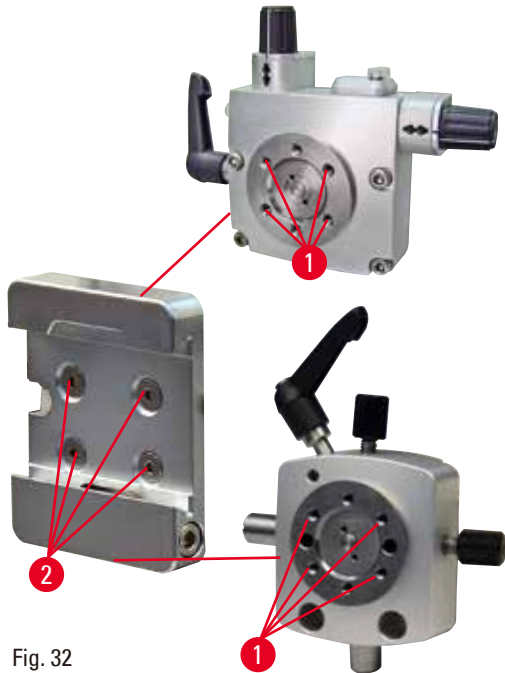


Fig. 32

It is used as an adaptor for use with the fine-directional fixture for specimen clamps with zero point indicators or the directional fixture for specimen clamps.

Screw the 4 screws (→ "Fig. 32-2") into bore (→ "Fig. 32-1") with a Hexagon key size 2.5 and tighten them.

6.2 Specimen clamps and holders



Tips

All specimen clamps available as accessories can be integrated into the fine directional, or directional, or non-directional specimen holder fixtures. For how to install the specimen clamps and holders to the quick clamping system, please refer to (→ P. 37 – 5.4 Inserting the universal cassette clamp).

6.2.1 Standard specimen clamp

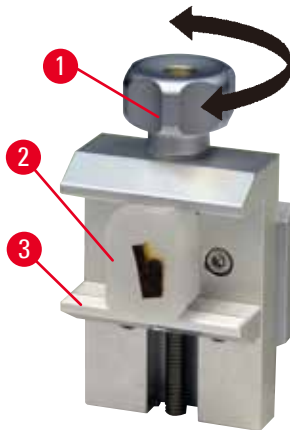


Fig. 33

The standard specimen clamp is available in two sizes: 40 x 40 mm and 50 x 55 mm. They are designed for direct clamping of rectangular blocks. In addition, they accommodate the foil clamp and V-insert.

- Turn the knurled screw (→ "Fig. 33-1") counterclockwise to move the movable jaw (→ "Fig. 33-3") downward.
- Mount the specimen (→ "Fig. 33-2") as required.
- Turn the knurled screw (→ "Fig. 33-1") clockwise to move the movable jaw upward against the fixed jaw to securely clamp the sample.



Warning

Insufficient frame conditions for sectioning.

Specimen damage or poor sectioning results, for example, sections alternating in thickness, compressed, folded or stripped sections.

- Do not continue sectioning if you recognize insufficient sections results.
- Make sure that all prerequisites for appropriate sectioning are met. Refer to the troubleshooting section of these Instructions for Use for further details.
- If you do not have sufficient knowledge in regards of troubleshooting insufficient sectioning results consult persons who do have that knowledge, for example, application experts of Leica Biosystems.

6.2.2 Universal cassette clamp

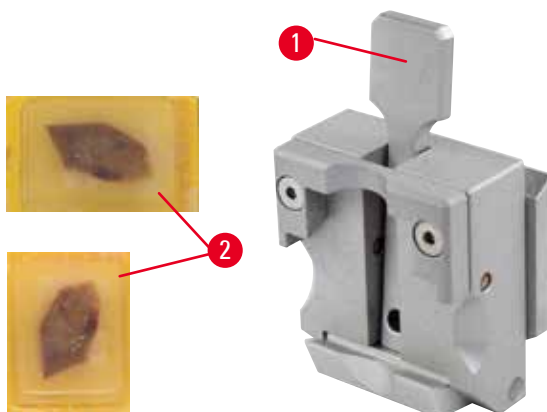


Fig. 34

Leica Biosystems cassettes with minimum dimensions of 39.8 x 28 mm and maximum dimensions of 40.9 x 28 mm may be clamped in the universal cassette clamp (UCC) horizontally as well as vertically.

- Pull the lever (→ "Fig. 34-1") towards the operator.
- Mount the cassette (→ "Fig. 34-2") horizontally or vertically as required.
- To clamp the cassette, release the lever (→ "Fig. 34-1").

**Warning**

Insufficient frame conditions for sectioning.

Specimen damage or poor sectioning results, for example, sections alternating in thickness, compressed, folded or stripped sections.

- Do not continue sectioning if you recognize insufficient sections results.
- Make sure that all prerequisites for appropriate sectioning are met. Refer to the troubleshooting section of these Instructions for Use for further details.
- If you do not have sufficient knowledge in regards of troubleshooting insufficient sectioning results consult persons who do have that knowledge, for example, application experts of Leica Biosystems.

**Warning**

The remaining broken edge of cassette lid may lead to poor section quality due to insecurely clamping.

Serious injury of persons.

- When using a cassette whose lid is molded on, make sure that the broken edge left by removing the lid does not prevent the specimen from being securely clamped – if necessary, the specimen must be clamped horizontally.

**Caution**

When using thin-walled cassettes, the cassettes become deformed or insecurely clamped into place, or other problems because of the clamping system.

Damage to specimen/Delayed diagnosis.

- Be careful when using thin-walled-cassettes. Make sure that the thin-walled-cassettes are clamped securely in place.
- If the user tries clamping the cassette and realizes that it is not securely clamped into place, use a more stable one.

**Caution**

Paraffin deposits on the outside of the cassette can make the universal cassette clamp dirty.

The dirt prevents the cassette from clamping in securely and can lead to sections being too thick or thin, chattering within the section and, in the worst-case scenario, damage to the specimen.

- Prior to sectioning, the user has to verify that the specimen is clamped securely.
- Remove paraffin deposits from the universal cassette clamp.

6.2.3 Super cassette clamp

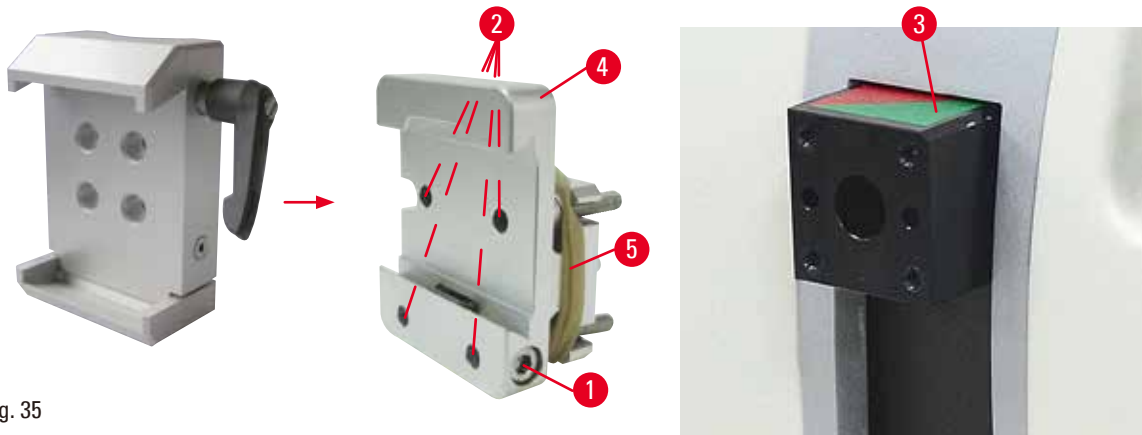


Fig. 35

Assembly of the super cassette clamp



Tips

Remove the rubber ring (→ "Fig. 35-5") only after having attached the rigid fixture for specimen clamps on the object head.

The super cassette clamp should preferably be used with the rigid fixture for specimen clamps.

To do so, proceed as follows:

- Screw the rigid fixture for specimen clamps (→ "Fig. 35-4") onto the object head (→ "Fig. 35-3"): Remove the screw (→ "Fig. 35-1"), place the rigid fixture for specimen clamps (→ "Fig. 35-4") onto the object head (→ "Fig. 35-3") from the front and tighten the screws (→ "Fig. 35-2") with a Hexagon key No. 3. Next, insert the screw (→ "Fig. 35-1") from the side and briefly tighten it with a Hexagon key No. 4.
- Insert the super cassette clamp from the side on the left into the dovetail guide of the rigid fixture for specimen clamps and tighten screw (→ "Fig. 35-1").



Caution

When using super cassette clamp, the orientation is not set to position "0" when directional fixture for specimen clamps is used with the rigid knife holder base, or the back-lighting illumination is attached.

The instrument may malfunction leading to delayed diagnosis.

- The orientation must be in position "0" and the cover for backlighting illumination must be detached.
- NEVER use the super cassette clamp with backlighting illumination.
- The force balance system has to be adjusted when using the super cassette clamp.

6.3 Knife holder base and knife holder



Fig. 36

The plastic handles of all clamping levers on the instrument and knife holders can be turned to the position that is most convenient for each user. Pull the grip (→ "Fig. 36-1") out of the lever, hold it in this position, and rotate it to the desired position. It will then lock automatically when released.

6.3.1 Two-in-one blade holder E



Fig. 37

- | | | | |
|---|-----------------------|---|------------------------|
| 1 | Blade ejector | 6 | Safety guard |
| 2 | Clamping top | 7 | Bolt |
| 3 | Clamping lever (left) | 8 | Clamping lever (right) |
| 4 | Segment arc | 9 | Pressure plate |
| 5 | Blade holder base | | |

The two-in-one blade holder optimized for use with Leica Biosystems disposable blades:

low-profile blades (L x H x W):

(80 +/-0.05) mm x (8 +/- 0.1) mm x (0.254 +/-0.008) mm;

high-profile blades (L x H x W):

(80 +/-0.05) mm x (14 +/-0.15) mm x (0.317 +/-0.005) mm.

The two-in-one blade holder E has a lateral displacement function, so that the entire width of the blade can be used. It is equipped with a blade ejector to safely remove the blade after use. The pressure plate is replaceable.



Tips

The clamping levers on the two-in-one blade holder E are not interchangeable. The two clamping levers (→ "Fig. 37-8") (→ "Fig. 37-3") must remain in the position shown at all times, as otherwise isolated malfunctions of the two-in-one blade holder E can occur.

Clamping lever for the blade (→ "Fig. 37-8") is at the right, clamping lever for the lateral displacement (→ "Fig. 37-3") is at the left.

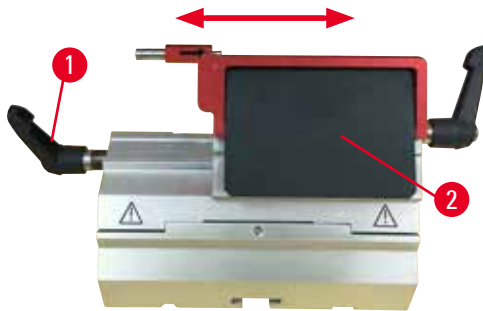


Fig. 38

Lateral displacement

The lateral movement feature of the two-in-one blade holder E enables the use of the entire length of the blade by moving the clamping top laterally. Three predefined stop positions (left, center, right) that correspond to the width of a standard cassette may be used if desired.

- To release the clamping, rotate the lever (→ "Fig. 38-1") on the left side of the two-in-one blade holder E counterclockwise.
- Move the clamping-top (→ "Fig. 38-2") laterally.
- To clamp, rotate the lever (→ "Fig. 38-1") clockwise.



Warning

Too thick or thin blade used in the two-in-one blade holder.

Sample impaired.

- Use a blade with a maximum thickness of less than 0.322mm and a minimum thickness of more than 0.246mm.
- The recommended compatible blade is listed in Optional Accessories (→ P. 48 – 6. Optional Accessories).



Warning

The blade is not installed completely parallel to the upper edge of the pressure plate due to excess paraffin, uncleaned inserts, etc..

When using the lateral movement function, failure to install the blade parallel to the pressure plate may result in poor sectioning results. For example, if a section is too thick or thin, chattering within the section, in the worst-case scenario, may damage the specimen.

- Do not continue the sectioning when getting unsatisfying section results.
- Re-install the blade and make sure that it is parallel to the upper edge of the pressure plate.
- Always check the parallelism between the blade and pressure plate after moving the blade using the lateral movement function.
- Ensure there is no paraffin waste and the insert is clean before use.

6.3.2 Knife holder base, without lateral displacement feature

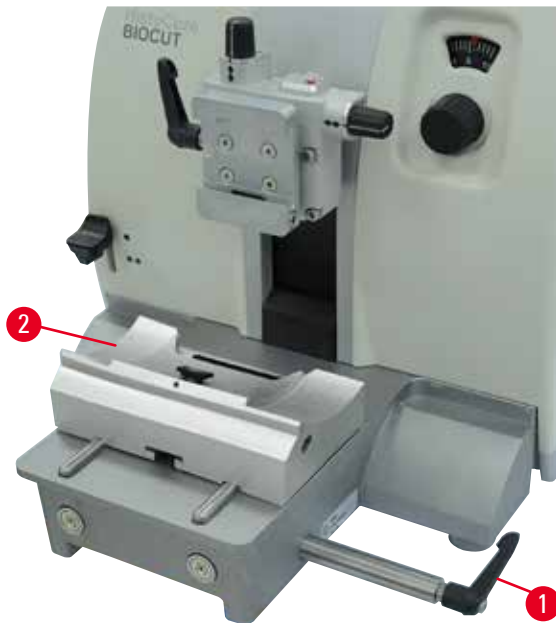


Fig. 39

Repositioning the knife holder base

The one-piece knife holder base (rigid) (→ "Fig. 39-2") can be moved forwards and backwards on the microtome base plate.

This vertical displacement allows bringing the knife holder into the optimal cutting position in relation to the specimen.

- To release, rotate the clamping lever (→ "Fig. 39-1") on the right side of the microtome base plate counterclockwise.
- Reposition the knife holder together with the knife holder base forward or backward as appropriate.
- Secure the clamping mechanism by rotating the lever (→ "Fig. 39-1") clockwise.

6.3.3 Knife holder E with a water trough for low-profile blades



Fig. 40

The knife holder E with a water trough (→ "Fig. 40") is only for low-profile blades.

The safety guard on knife holder E consists of a red foldaway handle (→ "Fig. 40-1"). To cover the cutting edge, fold the safety guard handle (→ "Fig. 40-1") clockwise as illustrated in the figure.



Tips

The clamping levers on the knife holder are not interchangeable. The two clamping levers ((→ "Fig. 40-2") and (→ "Fig. 40-3")) must remain in the position shown at all times, as otherwise isolated malfunctions of the knife holder can occur.

Clamping lever for the blade (→ "Fig. 40-2") is at the right, clamping lever for the lateral displacement (→ "Fig. 40-3") is at the left.

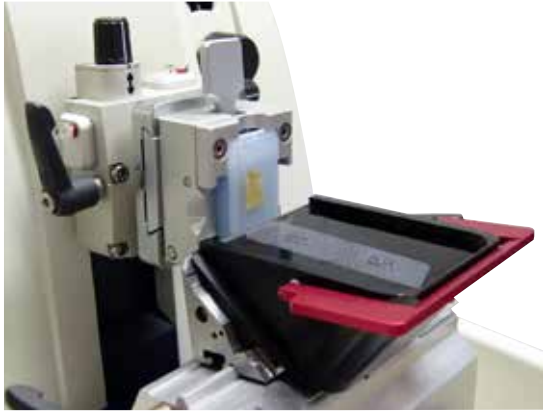


Fig. 41

Use

Floating thin paraffin sections (for example, for subsequent immunostaining procedures) on the surface of the water.

The vessel is filled with distilled or deionized water up to the blade. After trimming, remove the section waste from the vessel and create the sections to be prepared.

The sections floating on the surface of the water can be collected using the glass slide.

6.3.4 Knife holder N

The knife holder N is appropriate for standard steel knives, profile c and d, up to 16 cm long. The integrated height adjustment feature allows you to also use knives that have been resharpened numerous times.

- Knife holder N (→ "Fig. 42"): For holding conventional knives up to 16 cm in length.

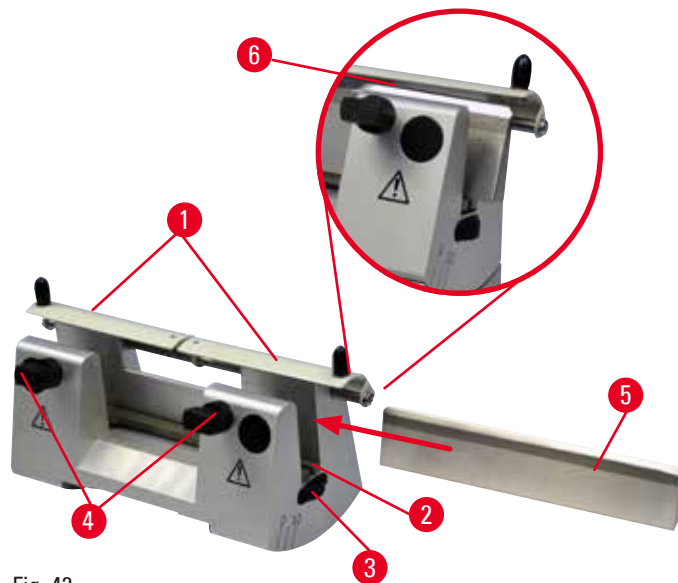


Fig. 42

Mounting the knife support bar

- Push the safety guard (→ "Fig. 42-1") to the center.
- Set the knife support bar (→ "Fig. 42-2") onto the height adjustment screws. The flat ends of the height adjustment screws must be located in the slots at each end of the knife support bar.



Warning

The knife/blade is installed before the knife/blade holder and the knife/blade holder base are installed on the instrument.

Serious injury of persons due to contact with extremely sharp knives and/or blades.

- Prior to inserting the knife/blade, both the knife/blade holder and the knife/blade holder base must be installed on the microtome.

Inserting the knife

- Rotate the knurled nuts (→ "Fig. 42-3") on the right and left of the knife holder forward in opposite directions, lowering the knife support bar to the lowest possible position, thus ensuring that the knife edge will not be damaged when inserting the knife.
- Unscrew the clamping screws (→ "Fig. 42-4") (rotate counterclockwise) until the knife can safely be inserted.
- Hold the knife (→ "Fig. 42-5") at the knife base and carefully insert it in the holder from the side as shown with the cutting edge facing upward.



Fig. 43

Either side of the profile c knife (→ "Fig. 43-1") can be inserted, whereas the facet of profile d knife (→ "Fig. 43-2") should face the operator. Putting the knife wrongly will damage the specimen and the knife.

Knife height adjustment

When adjusting the knife height, the knife edge should be positioned as exactly as possible in the actual center of rotation of the knife holder. The lay-on edge (→ "Fig. 42-6") of the rear clamping chucks serves as a reference position for correct knife height adjustment.

- Rotate the knurled nuts (→ "Fig. 42-3") uniformly and backwards until the knife blade is parallel to the marks on the lay-on edges (→ "Fig. 42-6") of the rear clamping chucks.
- To clamp the knife (→ "Fig. 42-5") evenly screw the two knife clamping screws (→ "Fig. 42-4") inward (rotate clockwise).

Lateral repositioning of the knife

- Push the safety guard (→ "Fig. 42-1") to the center.
- Loosen the clamping screws (→ "Fig. 42-4") by turning them counterclockwise.
- Push the knife (→ "Fig. 42-5") to the left or right as required.
- After the knife has been repositioned, adjust the knife height (→ P. 58 – Knife height adjustment), then tighten the clamping screw (→ "Fig. 42-4") which is located on the side to by turning it clockwise to clamp the knife (→ "Fig. 42-5").

**Caution**

After the knife/blade holder is laterally displaced, the specimen is not retracted and retrimmed.

Specimen damage.

- Retract the object head and retrim the specimen block each time after laterally displacing the knife/blade holder.

6.4 Section waste tray

Fig. 44

The anti-static section waste tray offers ease of cleaning due to the anti-static surface.

Push the section waste tray (→ "Fig. 44-1") from the front to the microtome base plate (→ "Fig. 44-2") until it is held in place by the two magnets (→ "Fig. 44-3") (on the front of the microtome base plate).

6.5 Backlighting**Tips**

The backlighting cannot be used with the blade holder base of the two-in-one blade holder E.

To use with backlighting on HistoCore BIOCUT, the External power supply unit Backlighting (Order No.: 14 0500 31244) must be ordered separately.

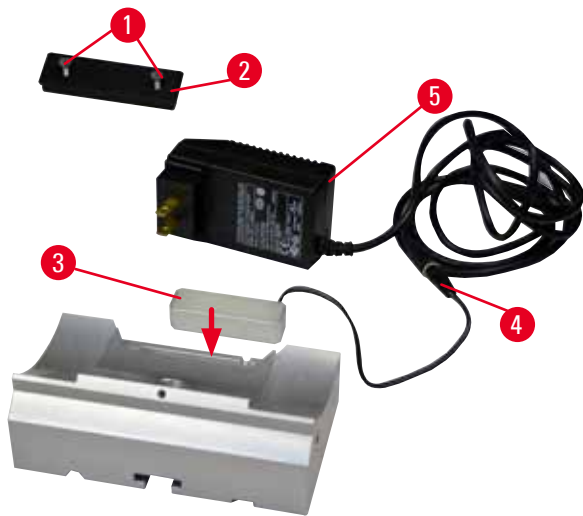


Fig. 45

- Remove the two screws (→ "Fig. 45-1") using a slotted screwdriver and then remove the cover plate (→ "Fig. 45-2").
- Insert the backlighting (→ "Fig. 45-3") in the recess at the rear of the knife holder base.
- Connect the plug (→ "Fig. 45-4") of the backlighting to the plug of the External power supply unit Backlighting (→ "Fig. 45-5").

**Caution**

When using super cassette clamp, the orientation is not set to position "0" when directional fixture for specimen clamps is used with the rigid knife holder base, or the back-lighting illumination is attached.

The instrument may malfunction leading to delayed diagnosis.

- The orientation must be in position "0" and the cover for backlighting illumination must be detached.
- NEVER use the super cassette clamp with backlighting illumination.
- The force balance system has to be adjusted when using the super cassette clamp.

6.6 Top tray

Fig. 46

The top tray is mounted on the hood of the microtome. The mark (→ "Fig. 46-1") on both the top tray and the hood helps to orient the installation of the top tray.

The top tray is for storage of the utensils used during sectioning as well as the sectioned specimens.

6.7 Universal microscope carrier**Tips**

Unpack all accessories in the package and check for completeness.

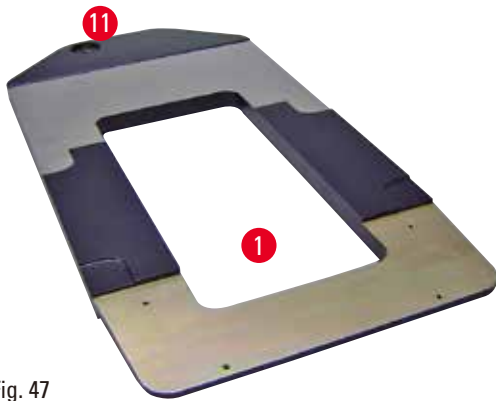


Fig. 47



Fig. 48

- (→ "Fig. 47-1"), Baseplate with drilling (→ "Fig. 47-11")
- (→ "Fig. 48-2"), Vertical column with size 8 cap screw (→ "Fig. 48-12") and lock washer (→ "Fig. 48-13")
- (→ "Fig. 48-3"), Horizontal arm with cross-member (→ "Fig. 48-14") and supporting ring (→ "Fig. 48-15")
- (→ "Fig. 48-4"), Support plate, large (for BIO-CUT, MULTICUT and AUTOCUT)
- (→ "Fig. 48-5"), Support plate, small (for NANOCUT R)
- (→ "Fig. 48-6"), Hexagon key No. 3
- (→ "Fig. 48-7"), 4 countersunk screws to install support plate
- (→ "Fig. 48-8"), Hexagon key size 8



Fig. 49

Assembling the universal microscope carrier

- Attach baseplate. Select the large (→ "Fig. 48-5") or small (→ "Fig. 48-4") support plate, depending on the microtome to be used. Attach the support plate to the baseplate with the included 4 countersunk screws (→ "Fig. 48-7") using the Hexagon key No. 3 (→ "Fig. 48-6").

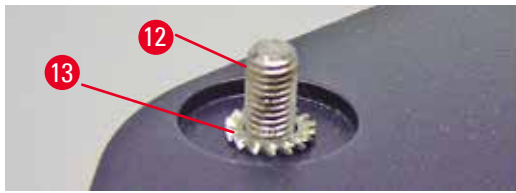


Fig. 50

- Attach vertical column. Insert the cap screw (→ "Fig. 50-12") into the hole of the baseplate from below. Place the lock washer (→ "Fig. 50-13") on the cap screw from above. Thread the silver vertical column (→ "Fig. 51-2") onto the baseplate from above and tighten with the Hexagon key No. 8.

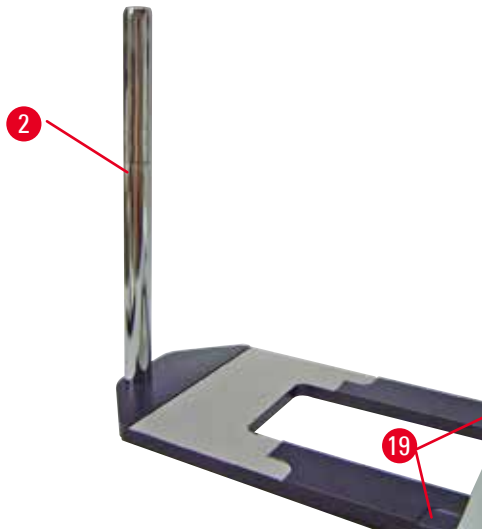


Fig. 51



Warning

The universal microscope carrier tips.

Serious injury of persons.

- After installing the vertical column, immediately place the microtome onto the baseplate so that the front feet of the microtome are positioned in the shallow recesses (→ "Fig. 51-19").



Tips

The lock washer must be positioned between the baseplate and vertical column to prevent unintentional turning of the column.

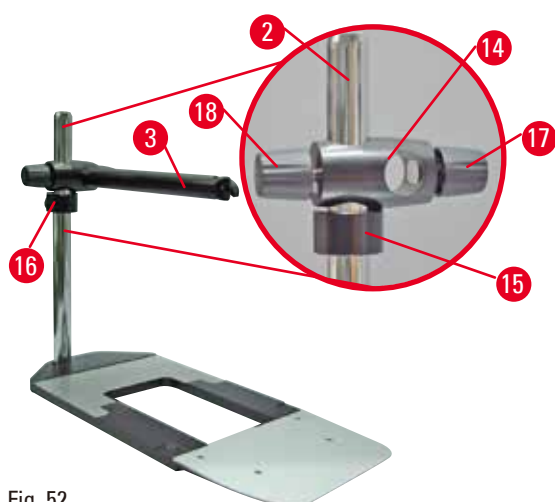


Fig. 52

- Attach horizontal arm. Slide the support ring (→ "Fig. 52-15") onto the vertical column and position it so that the lock nut (→ "Fig. 52-16") is facing to the back. Tighten the lock nut. Slide the cross-member (→ "Fig. 52-14") onto the column. Ensure that the lock screw (→ "Fig. 52-17") is facing to the right of the baseplate. The horizontal arm must be centered over the microscope. Slide the horizontal arm (→ "Fig. 52-3"), flat side facing the lock screw (→ "Fig. 52-17"), into the cross-member (→ "Fig. 52-14") and tighten.



Tips

For more information on connecting and using the microscope, magnifying lens or cold-light source, please see the appropriate Instructions for Use.

6.8 Magnifying lens, LED illumination



Tips

The magnifying lens provides a 2x magnification and can be used with all HistoCore series rotary microtomes.



Fig. 53

- Open the screw (→ "Fig. 53-3") on the horizontal arm of the microscope carrier in a counterclockwise direction.
- Insert the silver connection piece (→ "Fig. 53-1") as far as it will go. Tighten the screw (→ "Fig. 53-3").
- The adapter (→ "Fig. 53-2") allows the LED Hi-power spots to be installed. Connect the LED 1000 Hi-Power spots, 2-arms, with the adapter (→ "Fig. 54"). Insert the plugs (→ "Fig. 54-1") of the LED 1000

Hi-Power spots, 2-arms, into the sockets (→ "Fig. 54-2") of the high-power spot controller (→ "Fig. 54-3"). Connect the power adapter (→ "Fig. 54-4") of the LED 1000 control unit to the high-power spot controller, then connect to the power supply. Make sure to choose a correct plug from the provided ones (→ "Fig. 54-5") for the power adapter for your region.

- Press the button (→ "Fig. 54-7") on the high-power spot controller to turn on or turn off the two spot lights (→ "Fig. 54-6"), which is indicated correspondingly by two green lights (→ "Fig. 54-8") on the high-power spot controller. Turn the control wheel (→ "Fig. 54-9") to adjust the brightness of the spot lights.

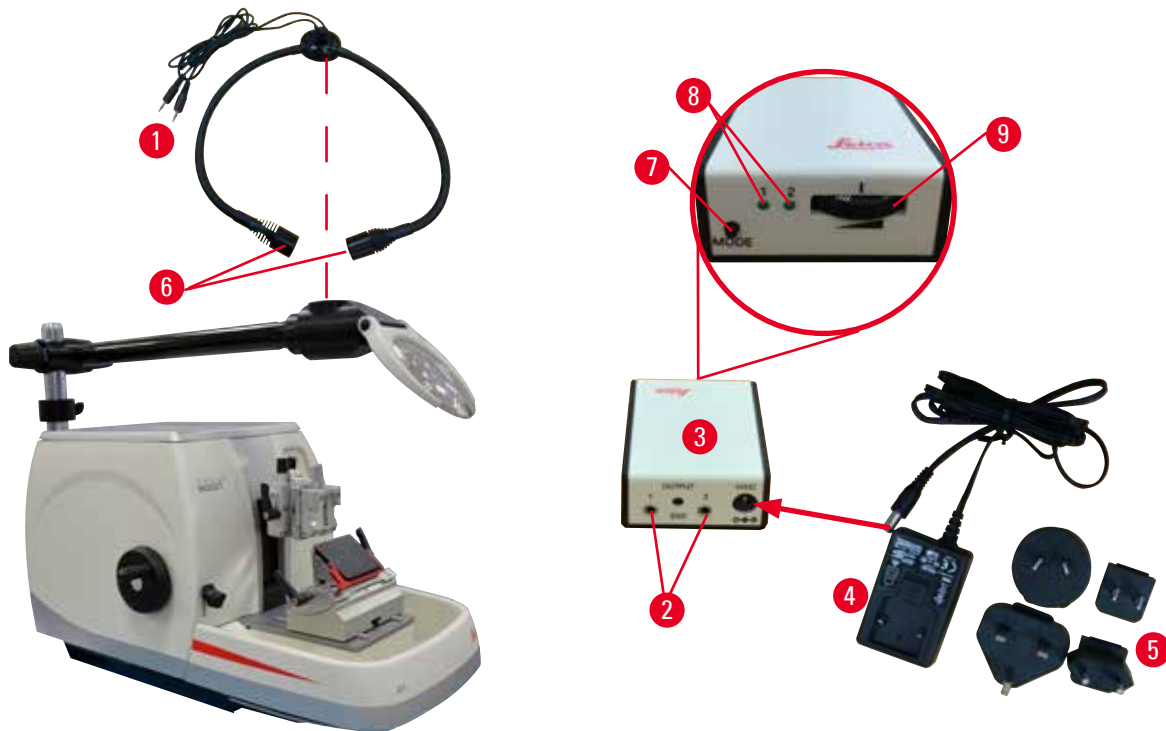


Fig. 54

- Adjust the position of the magnifying lens to the specimen being processed. The magnifying lens can be swiveled completely to the side if necessary.



Warning

Magnifying lens is not covered when not working with it.

Serious injury of persons and/or property damage due to burning glass effect. Magnifying lens can set surrounding objects on fire, especially when there is exposure to direct sunlight.

- Always cover the magnifier lens when not working with it.
- Especially protect it from exposure to direct sunlight.

- Use the provided protective cap (→ "Fig. 53-4") to cover the magnifying lens.

6.9 Additional accessories

Knife holder base, non-orientable

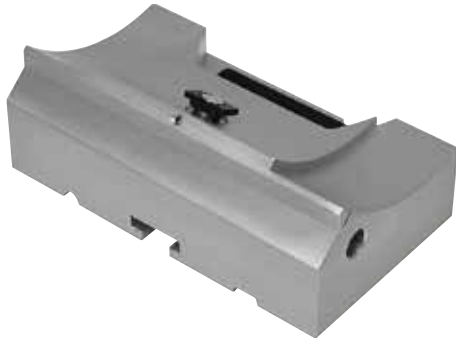


Fig. 55

Silver for knife holder N and knife holder E with trough

- Order No.: 14 0502 37962

Knife holder N



Fig. 56

Silver, for holding conventional knives up to 16 cm in length

Height adjustment of the knife
Separate clearance angle adjustment
Movable safety guard

- Order No.: 14 0502 37993

Knife holder E with trough



Fig. 57

For low-profile disposable blades, dimensions (L x H x W):
(80 +/-0.05) mm x (8 +/- 0.1) mm x (0.254 +/-0.008) mm,

silver, with a water trough

Quick clamp system with ability to shift the clamping top laterally
3 click-stop positions make it easier to utilize the entire blade length

Color-coded, foldaway safety guard

- Order No.: 14 0502 38961

Blade holder base for two-in-one blade holder E

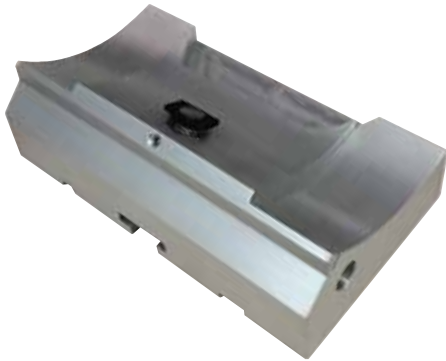


Fig. 58

Blade holder base for two-in-one blade holder E

- Order No.: 14 0502 55546

Two-in-one blade holder E



Fig. 59

For high and low profile disposable blades with the blade dimensions for low-profile blades (L x H x W):

(80 +/-0.05) mm x (8 +/-0.1) mm x (0.254 +/-0.008) mm,

and the blade dimensions for high-profile blades (L x H x W):

(80 +/-0.05) mm x (14 +/-0.15) mm x (0.317 +/-0.005) mm.

For HistoCore BIOCUT

Ability to shift the clamping top laterally

3 click-stop positions make it easier to utilize the entire blade length

The pressure plate is replaceable.

Color-coded, foldaway safety guard

With blade ejector

- Order No.: 14 0502 54497

Disposable blades — low profile (Leica 819)



Fig. 60

Dimensions (L x H x W): (80 +/-0.05) mm x (8 +/-0.1) mm x (0.254 +/-0.008) mm

- 01 package of 50 pcs.: 14 0358 38925
- 10 packages of 50 pcs.: 14 0358 38382

Disposable blades — high-profile (Leica 818)



Fig. 61

Dimensions (L x H x W): (80 +/-0.05) mm x (14 +/-0.15) mm x (0.317 +/-0.005) mm

- 01 package of 50 pcs.: 14 0358 38926
- 10 packages of 50 pcs.: 14 0358 38383

Knife 16 cm - profile c - steel, Knife 16 cm - profile d - steel

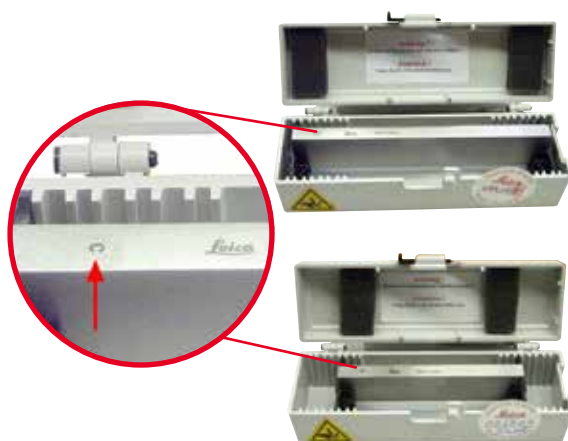


Fig. 62

Knife, 16 cm long, profile c
Note: Knife case 14 0213 11140 included

- Order No.: 14 0216 07100

Knife, 16 cm long, profile d
Note: Knife case 14 0213 11140 included

- Order No.: 14 0216 07132

Knife case - small



Fig. 63

Plastic, variable for 1 or 2 knives of 10 to 16 cm length.

- Order No.: 14 0213 11140

Universal cassette clamp

Fig. 64

with adapter, silver

For use with standard cassettes with dimensions that are 39.8 x 28 x 5.8 mm at minimum and 40.9 x 28.8 x 6.2 mm at maximum.

- Order No.: 14 0502 37999

Standard specimen clamp

Fig. 65

50 x 55 mm, with adapter, silver

- Order No.: 14 0502 38005

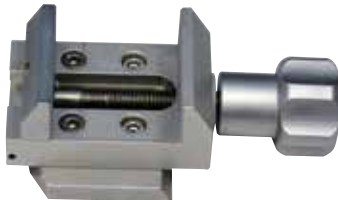
Standard specimen clamp

Fig. 66

40 x 40 mm, with adapter, silver

- Order No.: 14 0502 37998

Specimen holder fixture, directional

Fig. 67

Silver, including installation hardware.

Note: Quick clamping system 14 0502 37718 has to be ordered separately.

- Order No.: 14 0502 38949

Specimen holder fixture, non-directional

Fig. 68

Silver, for holding a variety of specimen clamps see (→ P. 48 – 6. Optional Accessories), including installation hardware

- Order No.: 14 0502 38160

Specimen holder fixture, fine directional

Fig. 69

Silver, with 2 zero point indicators, XY orientation 8° per direction, click stops every 2°
Note: Quick clamping system 14 0502 37718 must be ordered separately.

- Order No.: 14 0502 37717

Quick clamping system

Fig. 70

For specimen holder for use with the fine-directional fixture for specimen clamps with zero point indicators 14 0502 37717 or the directional fixture for specimen clamps 14 0502 38949

- Order No.: 14 0502 37718

Super cassette clamp



Fig. 71

With adapter, silver

Note:

Use only together with non-orientable specimen holder fixture 14 0502 38160, which has to be ordered separately.

Backlighting 14 0502 38719 cannot be used in connection with a Super cassette clamp.

We recommend use with Leica Biosystems Super cassettes and covers, white (VSP 59060B-BX, VSP 59060-CS) and Super metal embedding molds (VSP58166)

(LxWxH) 75 x 52 x 35 mm

- Order No.: 14 0502 38967

Leica RM CoolClamp



Fig. 72

Electrically cooled universal cassette clamp with adapter for the HistoCore rotary microtomes. For use with standard cassettes with dimensions that are 39.8 x 28 mm at minimum and 40.9 x 28 mm at maximum.

Uniform microtome sections through electric cooling of the universal cassette clamp using the Leica RM CoolClamp. Energy-saving cooling through the heat dissipation system.

The patented force balance system of the HistoCore rotary microtomes enables the specimen clamps to be changed quickly and reliably without modifying the handwheel.

Antistatic material makes cleaning easier. Can be retrofitted for all rotary microtomes from HistoCore series.

Technical data:

Precooling time until work begins: 30 minutes

Temperature: 20 K below ambient temperature

Ambient temperature range: +10 °C to +35 °C

Relative humidity: max. 80 %, non-condensing

Weight: approx. 650 g

Measurements (W x D x H): 80 x 114 x 204 mm

Power Inlet: 100 - 240 V/ 50/ 60 Hz

Certifications: CE, c_CSA_US

Standard delivery:

Leica RM CoolClamp

Power supply with cable and 4 adapters (UK, US, EU, AUS)

5 cable clamps

Instructions for Use and DVD

- Order No.: 14 0502 46573

**Tips**

The Leica RM Coolclamp cannot be used in connection with a microscope or magnifier.

Magnifier

Fig. 73

For assembly on microscope carriers (14 0502 40580), 2x magnification

Note:

Magnifier includes an adapter for holding the optional LED illumination

- Order No.: 14 0502 42790

Universal microscope carrier

Fig. 74

Universal assembly

- Order No.: 14 0502 40580

Backlighting

Fig. 75

Note:

For HistoCore BIOCUT and MULTICUT only together with the External power supply unit Backlighting 14 0500 31244.

Backlighting cannot be used in connection with a Super Mega cassette clamp 14 0502 38967.

- Order No.: 14 0502 38719

External power supply unit Backlighting

Fig. 76

For use with backlighting 14 0502 38719, for rotary microtome series HistoCore BIOCUT and MULTICUT

The following adapters are included:
UK, Europe, USA/Japan, Australia

- Order No.: 14 0500 31244

Top tray

Fig. 77

For HistoCore rotary microtome series

- Order No.: 14 0517 56261

Section waste tray

Fig. 78

For HistoCore rotary microtome series

- Anti-static section waste tray
Order No.:14 0517 56237

Brush



Fig. 79

With magnet for blade removal tool for two-in-one blade holder E.

- Order No.: 14 0183 40426

Safety gloves



Fig. 80

Size M, 250 ± 20mm, Yellow

- Order No.: 14 0340 29011

Cut resistant safety gloves, size S, 250±20mm

- Order No.: 14 0340 40859

6.10 Ordering information

Knife holder base	14 0502 37962
Knife holder N	14 0502 37993
Knife holder E w/trough low-profile	14 0502 38961
Blade holder base	14 0502 55546
2-in-1 blade holder E	14 0502 54497
Leica 819 disposable blades – low-profile (50/pack): (80 +/-0.05) mm x (8 +/-0.1) mm x (0.254 +/-0.008) mm (L x H x W)	14 0358 38925
Leica 819 disposable blades – low-profile (50/pack)	14 0358 38382
Leica 818 disposable blades – high-profile (50/pack): (80 +/-0.05) mm x (14 +/-0.15) mm x (0.317 +/-0.005) mm (L x H x W)	14 0358 38926
Leica 818 disposable blades – high-profile (50/pack)	14 0358 38383
Knife 16 cm - profile c - steel	14 0216 07100
Knife 16 cm - profile d - steel	14 0216 07132
Knife case - small	14 0213 11140
Universal cassette clamp	14 0502 37999
Standard specimen clamp 50x55 mm	14 0502 38005

Standard specimen clamp 40x40 mm	14 0502 37998
Directional fixture for specimen clamp	14 0502 38949
Rigid fixture for specimen clamp	14 0502 38160
Fine-directional fixture for specimen clamp	14 0502 37717
Quick clamping system	14 0502 37718
Super cassette clamp	14 0502 38967
Leica RM CoolClamp	14 0502 46573
Magnifier	14 0502 42790
Universal microscope carrier	14 0502 40580
LED 1000 Hi-Power spots, 2-arms (This module can only function with LED 1000 control unit, Order No.: 14 6000 04825.)	14 6000 04826
LED 1000 control unit (This module can only function with LED 1000 Hi-power spots, 2-arm, Order No.: 14 6000 04826.)	14 6000 04825
Backlighting (The backlighting can only be used with Knife holder base Order No.: 14 0502 37962.)	14 0502 38719
External power supply unit Backlighting	14 0500 31244
Top tray	14 0517 56261
Anti-static waste tray	14 0517 56237
Brush with magnet	14 0183 40426
Safety gloves, size M	14 0340 29011
Safety gloves, size S	14 0340 40859
Oil type, CONSTANT OY 46 K (50 ml)	14 0336 06086

For more consumables, please visit the product online catalog on our website
www.LeicaBiosystems.com.

7. Troubleshooting

In the following table there is a list of the most common problems which can arise while working with the instrument, along with possible causes and troubleshooting procedures.

7.1 Possible faults

Problem	Possible cause	Corrective action
<p>Thick/thin sections</p> <p>The sections alternate between being thick and thin, or there is chattering in the sections, or the specimen is torn out of the embedding. In extreme cases, there are no sections whatsoever.</p>	<ul style="list-style-type: none"> • The blade, knife holder or orientation is not clamped properly. • The specimen is not clamped properly. 	<ul style="list-style-type: none"> • Reclamp the blade, knife holders or orientation. • Check that the cassette is securely clamped in the universal cassette clamp. • If the universal cassette clamp is soiled by paraffin, clean the universal cassette clamp (→ P. 80 – 8.1 Cleaning the instrument). • When using cassettes whose lid is molded on, check that the broken edge allows the cassette to be clamped securely; if necessary, remove burrs or clamp the cassette into the universal cassette clamp horizontally instead of vertically. • If the cassette dimensions are within the specified tolerances and the cassette still cannot be securely clamped into place, it may be that the universal cassette clamp is configured incorrectly or is defective. In this case, have Technical Service inspect and reconfigure the universal cassette clamp.

Problem	Possible cause	Corrective action
<p>(continued)</p> <p>Thick/thin sections</p> <p>The sections alternate between being thick and thin, or there is chattering in the sections, or the specimen is torn out of the embedding. In extreme cases, there are no sections whatsoever.</p>	<p>(continued)</p> <ul style="list-style-type: none"> • The specimen is not clamped properly. • The blade is dull. • The pressure plate is damaged or incorrectly adjusted. • Clearance angle of the knife/blade too small. • Paraffin is not hard enough for the conditions. • Underfilled cassette. • Too thick or thin blade used in the two-in-one blade holder. 	<p>(continued)</p> <ul style="list-style-type: none"> • When using cassettes, particularly thin-walled cassettes, from a company other than Leica Biosystems, the cassette may become deformed or other clamping problems may arise. If while trying to clamp the cassette you realize that it is not securely clamped into place, an alternative tensioning clamp must be used. • Laterally displace the knife/blade holder, or insert a new knife/blade. • Insert a new pressure plate or use a new two-in-one blade holder E. • Readjust the pressure plate. • Systematically try several clearance angle adjustments, until the optimum angle is found. • Use higher melting point paraffin or cool the block. • Ensure the cassette is properly filled, and the front block is firmly fastened to the cassette body. • The recommended compatible blade is listed in Optional Accessories (→ P. 48 – 6. Optional Accessories).
<p>Section compression</p> <p>The sections are so compressed and squeezed together, with folds and no ribbons formed.</p>	<ul style="list-style-type: none"> • The blade is dull. • The specimen is too warm. • The sectioning speed is too fast. 	<ul style="list-style-type: none"> • Use another area of the blade or a new blade. • Cool the specimen before sectioning. • Reduce the sectioning speed.

Problem	Possible cause	Corrective action
<p>"Stripes" in sections For the two-in-one blade holder E</p>	<ul style="list-style-type: none"> • Paraffin accumulated on the rear side of the blade and the rear pressure plate of the knife holder. • Retraction is not selected. • The clearance angle is too steep, as close to zero degree. • The blade has nicks in the cutting edge. 	<ul style="list-style-type: none"> • Remove paraffin from these areas regularly. • Activate the retraction function. • Adjust the clearance angle. • Exchange the blade.
<p>Noises during sectioning The knife "sings" when sectioning hard specimens. The sections show scratches or chatter marks.</p>	<ul style="list-style-type: none"> • The sectioning speed is too fast. • The clearance angle is too wide. • Insufficient clamping of specimen and/or knife holder. • Retraction is switched off during sectioning of resin / plastic embedded specimens. 	<ul style="list-style-type: none"> • Turn the handwheel at a slower speed. • Systematically decrease the clearance angle until the optimum adjustment is obtained. • Check all screw and clamp connections on the specimen holder system and the knife holder. If necessary, tighten the levers and screws. • Switch on retraction.
<p>High blade consumption</p>	<ul style="list-style-type: none"> • Too great of a sectioning force was applied. • Too sharp clearance angle. 	<ul style="list-style-type: none"> • Adjust the sectioning speed and/or section thickness when trimming. Select a smaller section thickness, rotate the handwheel more slowly. • Adjust the clearance angle.

7.2 Instrument malfunctions

Problem	Possible cause	Corrective action
<p>There is no further feed motion and thus no sectioning.</p>	<ul style="list-style-type: none"> • The front end position has been reached. 	<ul style="list-style-type: none"> • Run the specimen back by turning the coarse feed wheel.

7.3 Malfunctions of the two-in-one blade holder E

7.3.1 Replacing the pressure plate



Fig. 81

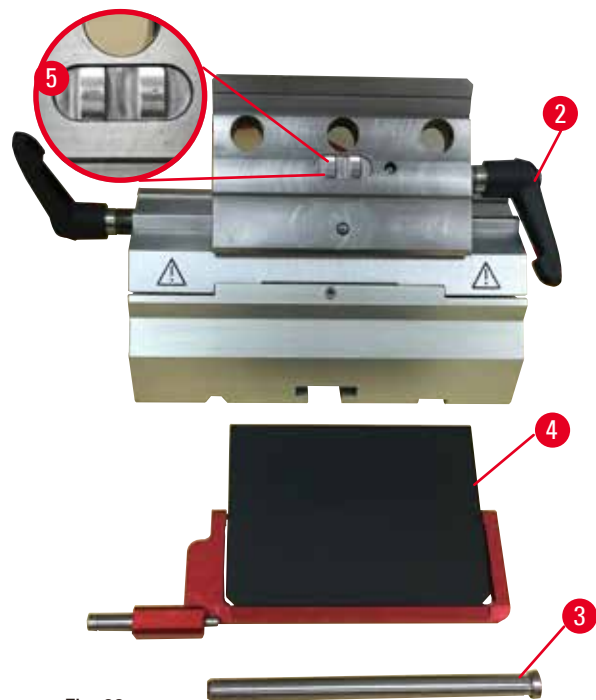


Fig. 82

1. Bring the safety guard down (→ "Fig. 81-1").
2. Rotate the clamping lever counterclockwise (→ "Fig. 81-2").
3. Pull out the bolt (→ "Fig. 81-3") (→ "Fig. 82-3").
4. Remove the damaged pressure plate (→ "Fig. 82-4").



Tips

Make sure that the insert of the clamping top is installed as shown (→ "Fig. 82-5") in case it falls out. If it is installed wrongly, the pressure plate cannot be clamped.

5. Install a new pressure plate.
6. Insert the bolt (→ "Fig. 82-3").
7. Rotate clamping lever clockwise (→ "Fig. 82-2").

7.3.2 Mounting the clamping top onto the segment arc

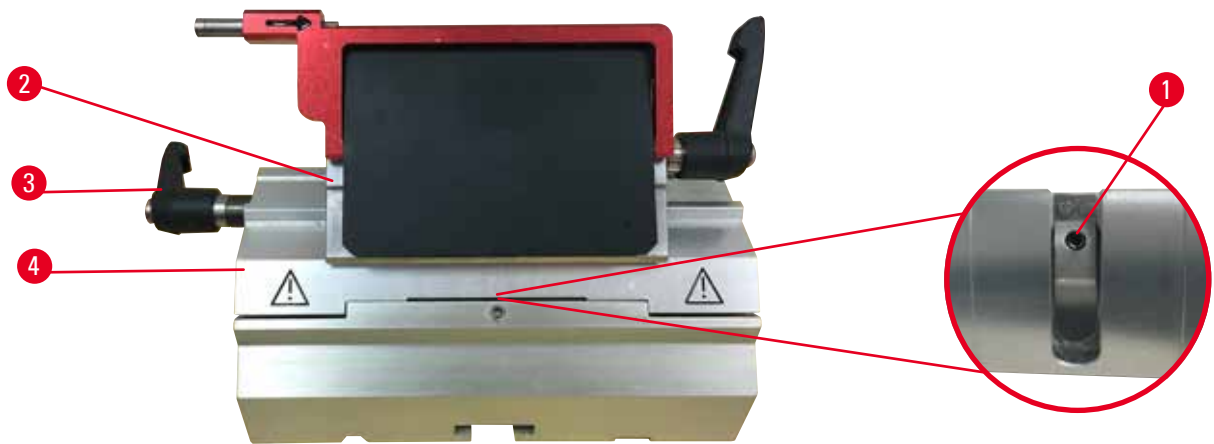


Fig. 83

To ensure a proper sectioning result, the clamping top (→ "Fig. 83-2") must be securely clamped onto the segment arc (→ "Fig. 83-4").

The clamping is carried out using an eccentric lever (→ "Fig. 83-3"). The clamping force is adjusted with the setscrew (→ "Fig. 83-1") on the underside of the segment arc. The setting of the clamping is carried out so that the clamping lever can be rotated to the stop with constantly increasing resistance.

Adjust the clamping with a 2.5 mm Hexagon key at the setscrew (→ "Fig. 83-1") so that the lever initially "slips" when the lever is activated. Continue turning the setscrew (→ "Fig. 83-1") a little bit (approx. 1/4 turn to the left or right) then check that the lever no longer "slips", but also does not jam "heavily".

7.4 The setting of the clamping system of the clamp mount on the base plate



Fig. 84

To set the clamping distance from the eccentric bolt to 270 °, do the following steps.

1. Place the blade holder base (→ "Fig. 84-1") on the instrument base.
2. Adjust by screwing or unscrewing the countersunk screw (→ "Fig. 84-5") in the clamping piece in the base using the Hexagon key No. 4 (→ "Fig. 84-6"), so that the eccentric bolt (→ "Fig. 84-2") can be clamped at 0 ° position (→ "Fig. 84-3") and 270 ° position (→ "Fig. 84-4").

8. Cleaning and Maintenance

8.1 Cleaning the instrument



Warning

The liquids go into the interior of the instrument.

Serious injury of instrument/persons, or specimen damage.

- Ensure that liquids do not enter the interior of the instrument during operation and maintenance.



Warning

Knife/blade was not removed when knife/blade holder was uninstalled from the microtome.

Serious injury of persons due to contact with extremely sharp knife/blade.

- Before uninstalling the knife/blade holder from the microtome always make sure to detach the knife/blade wearing cut-resistant gloves and store the knife/blade in a safe place.



Warning

Knife/blade stored in inappropriate manner.

Serious injury of persons, for example, due to unexpected fall off.

- Always store knife/blade in an appropriate place when not using them, for example, store it in the dedicated knife case.
- Never place a knife anywhere with the cutting edge facing upwards and never try to catch a falling knife.



Warning

Knife/blade holder falling off the instrument.

Serious injury of persons and/or property damage.

- If the knife/blade holder is not fixed, for example, during installation or cleaning, pay special attention that the knife/blade holder is not falling off.
- Whenever possible, fix the knife/blade holder to avoid falling off.



Caution

Use of improper solvents or cleaners, or sharp/hard tools to clean the instrument or accessories.

Potential instrument malfunction or delay of diagnosis.

- Do not use any solvents containing acetone or xylene for cleaning.
- When using cleaners, please comply with the safety instructions of the manufacturer and the laboratory safety regulations.
- Never use a sharp or hard tool to scrape the instrument surface.
- Never soak the accessories in any cleaning solvent or water.
- Clean steel knives using an alcohol-based solution or acetone.
- For cleaning and removal of paraffin, do not use xylene or cleaning fluids containing alcohol (for example glass cleaner).

**Note**

Accessories and components experience corrosion due to using corrosive/strongly acidic/alkaline reagent or solvent with the instrument or accessories, such as decalcified solution that contains acid, ammonium hydroxide that contains alkali, etc.

Accessories can malfunction.

- Avoid corrosive/strongly acidic/alkaline reagent or solvent dripping onto the instrument surface or accessories.
- If such reagent or solvent has dripped onto the instrument surface or accessories, wipe off the residue and dry the accessories sufficiently as soon as possible.
- If such reagent or solvent is used frequently, carry out a thorough daily cleaning of the blade holder, the universal cassette clamp (UCC), and other accessories if necessary.

Before each cleaning, carry out the following preparatory steps:

- Raise the specimen clamp to the upper end position and activate the handwheel lock.
- Remove the blade from the blade holder and insert it in the receptacle at the bottom of the dispenser, or remove the knife from the knife holder and put it back in the knife case.
- Remove knife holder base and knife holder for cleaning.
- Remove the specimen from the specimen clamp.
- Remove section waste with a dry brush.
- Remove specimen clamp and clean separately.

Instrument and outside surfaces

To remove paraffin residue, xylene substitutes, paraffin oil, or paraffin removers can be used. The instrument must be completely dry before it can be used again.

**Warning**

Wiping the knife in the wrong direction during cleaning.

Serious injury of persons.

- Always wipe the knife from the back of the knife to the cutting edge.

Two-in-one blade holder E

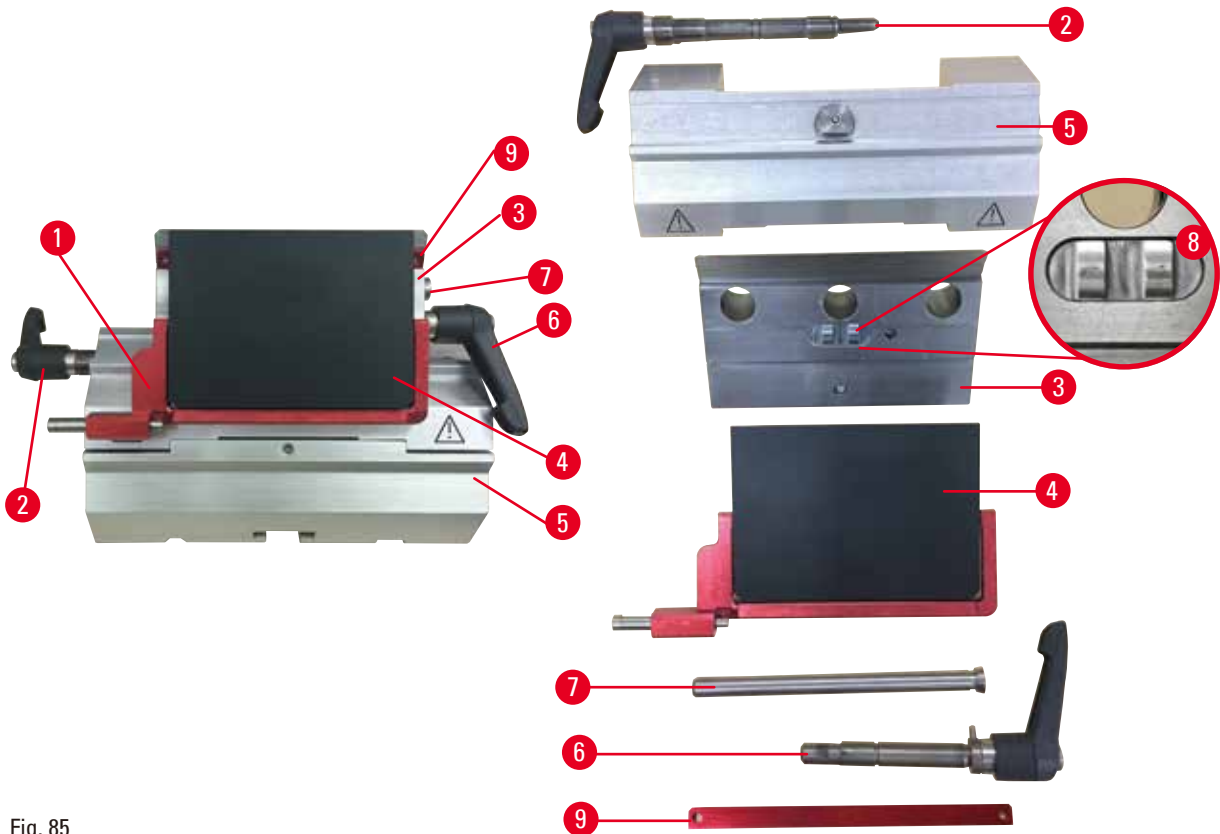


Fig. 85

1. Remove the insert (→ "Fig. 85-9") for low-profile blades.
2. Remove the pressure plate (→ "Fig. 85-4") from the clamping top. To do so, rotate the blade clamping lever (→ "Fig. 85-6") counterclockwise and pull it out sideways; pull out the bolt (→ "Fig. 85-7") and take the pressure plate off.
3. Remove the clamping top. To do so, rotate the clamping lever (→ "Fig. 85-2") of the lateral displacement counterclockwise and pull it out sideways; push the clamping top (→ "Fig. 85-3") until it can be removed from the segment arc (→ "Fig. 85-5").
4. Loosen the eccentric bolt using Hexagon key No. 4 and remove the segment arc from the blade holder base.
5. Clean all parts of the two-in-one blade holder E.

**Caution**

During cleaning, the parts of blade holders are mixed up.

Poor section quality.

- Do not mix up blade holders during cleaning.

- Lay the removed parts on an absorbent cloth into the drying chamber (up to a max. of 65 °C) and let the paraffin contamination run off.



Warning

During cleaning knife/blade holder, remove the parts from the drying chamber (65 °C).

Scalding hazard.

- Wear heat insulating gloves when removing the parts from the drying chamber (65 °C).

- Wipe the two-in-one blade holder E and allow to cool down to room temperature, then reassemble it.
- After cleaning the moving parts of the two-in-one blade holder E, apply a thin coat of drive part oil to them.
- When installing the pressure plate (→ "Fig. 85-4"), ensure that the insert of the clamping top is installed correctly as shown (→ "Fig. 85-8") and the upper edge of the pressure plate is parallel to and level with the rear edge of the clamping top (→ "Fig. 85-3").



Tips

If the insert of the clamping top is installed wrongly, the pressure plate cannot be clamped.

Universal cassette clamp

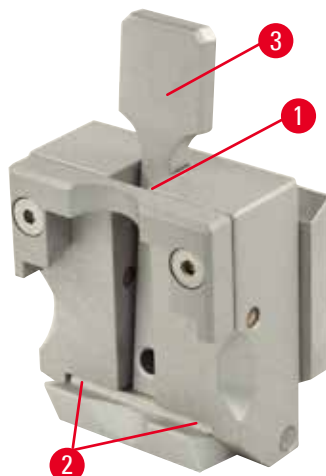


Fig. 86

- Detach cassette clamp (→ "Fig. 86-1") for a thorough cleaning, removing all paraffin residues.
- For cleaning, do not use xylene. Use xylene substitutes or paraffin removers.
- The cassette clamp (→ "Fig. 86-1") can also be placed in an oven heated to a maximum of 65 °C, until the liquid paraffin escapes.
- Remove paraffin residues with a dry cloth.
- After such a cleaning procedure in an oven, always be sure to lubricate the spiral springs (→ "Fig. 86-2") of the tension lever (→ "Fig. 86-3"). Allow the cassette clamp to cool down before mounting it back to the instrument.

8.2 Maintenance instructions



Tips

Only authorized and qualified service personnel may access the internal components of the instrument for service and repair!

The instrument is basically maintenance-free.

To ensure trouble-free operation of the instrument over a long period of time, the following is recommended by Leica Biosystems:

1. Thoroughly clean the instrument on a daily basis.
2. Enter into a service contract at the latest at the end of the warranty period. For more information, please contact your local Leica Biosystems technical service center.
3. Have the instrument inspected on a regular basis by a qualified service technician authorized by Leica Biosystems. The intervals depend on how heavily the instrument is used.

We recommend the following inspection intervals depending on the general workload of the instrument as defined in the two categories listed in the table:

	Category I	Category II
Number of sections per day:	> 8,000 sections per day	< 8,000 sections per day
Workload (hours per day):	> 5 hours per day	≤ 5 hours per day
Sectioning speed:	Predominantly high sectioning speed	Slow to medium sectioning speed
Specimen material:	Working with soft and hard specimens	Predominantly soft specimen material
Maintenance:	Every 12 months	Every 24 months

8.3 Lubricating the instrument

Once a month, lubricate the following parts with the included drive parts oil (1 - 2 drops are enough).



Warning

Oil is spilled and not cleaned-up immediately.

Serious injury of persons, for example, by slipping and getting in contact with dangerous parts like the knife/blade of the instrument.

- Always make sure that no oil is spilled.
- If oil has been spilled, clean it up immediately, thoroughly and completely.

Instrument

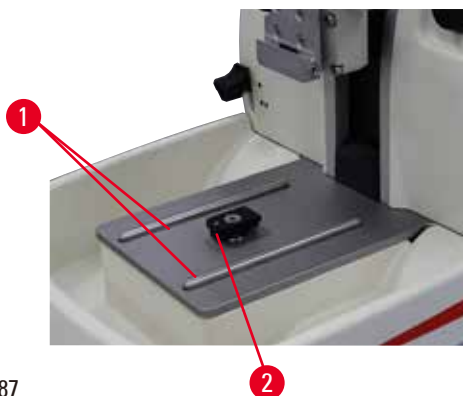


Fig. 87

- Guide rails (→ "Fig. 87-1") for the knife holder base on the microtome base plate.
- The T-piece (→ "Fig. 87-2") on the microtome base plate.

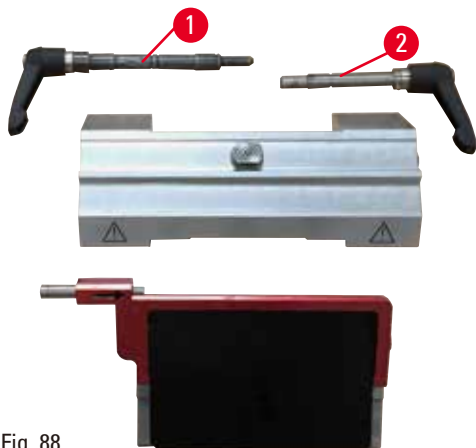
Two-in-one blade holder E

Fig. 88

- Clamping lever (→ "Fig. 88-1") for the lateral displacement.
- Clamping lever (→ "Fig. 88-2") for the blade.

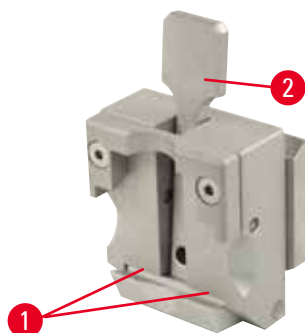
Universal cassette clamp

Fig. 89

Lubricate the spiral springs (→ "Fig. 89-1") of the tension lever (→ "Fig. 89-2") and move it back and forth several times.

9. Warranty and Service**9.1 Warranty**

Leica Biosystems Nussloch GmbH guarantees that the contractual product delivered has been subjected to a comprehensive quality control procedure based on the Leica Biosystems in-house testing standards, and that the product is faultless and complies with all technical specifications and/or agreed characteristics warranted.

The scope of the warranty is based on the content of the concluded agreement. The warranty terms of your Leica Biosystems sales organization or the organization from which you have purchased the contractual product shall apply exclusively.

9.2 Service information

If you are in need of technical customer support or spare parts, please contact your Leica Biosystems representative or the Leica Biosystems dealer where you purchased the instrument.

Please provide the following information:

- Model name and serial number of the instrument.
- Location of the instrument and name of a contact person.
- Reason for the service call.
- The date of delivery.

9.3 Decommissioning and disposal

The instrument or parts of the instrument must be disposed of according to existing applicable, local regulations.

10. Decontamination Confirmation

Every product that is returned to Leica Biosystems or that requires on-site maintenance must be properly cleaned and decontaminated. You can find the dedicated template of the decontamination confirmation on our website www.LeicaBiosystems.com within the product menu. This template has to be used for gathering all required data.

When returning a product, a copy of the filled and signed confirmation has to be enclosed or passed on to the service technician. The responsibility for products that are sent back without this confirmation or with an incomplete confirmation lies with the sender. Returned goods that are considered to be a potential source of danger by the company will be sent back at the expense and risk of the sender.

www.LeicaBiosystems.com



Version 1.7, Revision K - 01.2022

Leica Biosystems Nussloch GmbH
Heidelberger Strasse 17 - 19
D-69226 Nussloch
Germany

Tel.: +49 - (0) 6224 - 143 0
Fax: +49 - (0) 6224 - 143 268
Web: www.LeicaBiosystems.com

